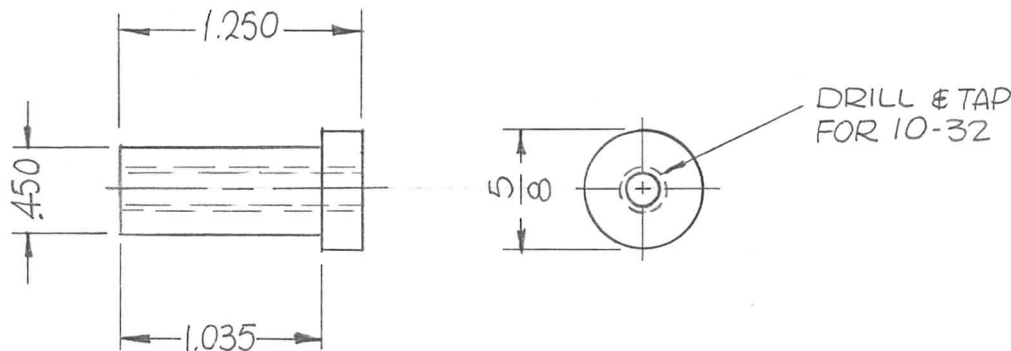


REQ. PER UNIT	USED ON			PM1329	Ø
	MODEL	ASS'Y. NO.	DATE		
1	LPFA-10K		9-14-66		



REQ.	ITEM	PART NO.	F. BUDETTI DESCRIPTION				SYMBOL
		AS SHOWN	THE TECHNICAL MATERIEL CORP. MAMARONECK, NEW YORK				
		STOCK SIZE	CONTACT, ELECTRICAL				
Ø		ALUMINUM					
X							
SYM	DESCRIPTION	DATE	CH. NO.	DRAFTS	CHECKER	ENG. APP.	
	UNLESS OTHERWISE SPECIFIED DIMENSIONS ARE IN INCHES AND INCLUDE CHEMICALLY APPLIED OR PLATED FINISHES	SCALE 1:1					
DECIMALS .X ± .05 .XX ± .01 .XXX ± .005	TOLERANCES	FRACTIONS ± 1/64 ANGLES ± 0° 30'	CODE A				
		2024-T4					
		S245 SILVER PLATE S423 SILVER KOTE					
		FINISH & SPEC. NO.	ELEC. DES. APP.	MECH. DES. APP.			PM1329   Ø