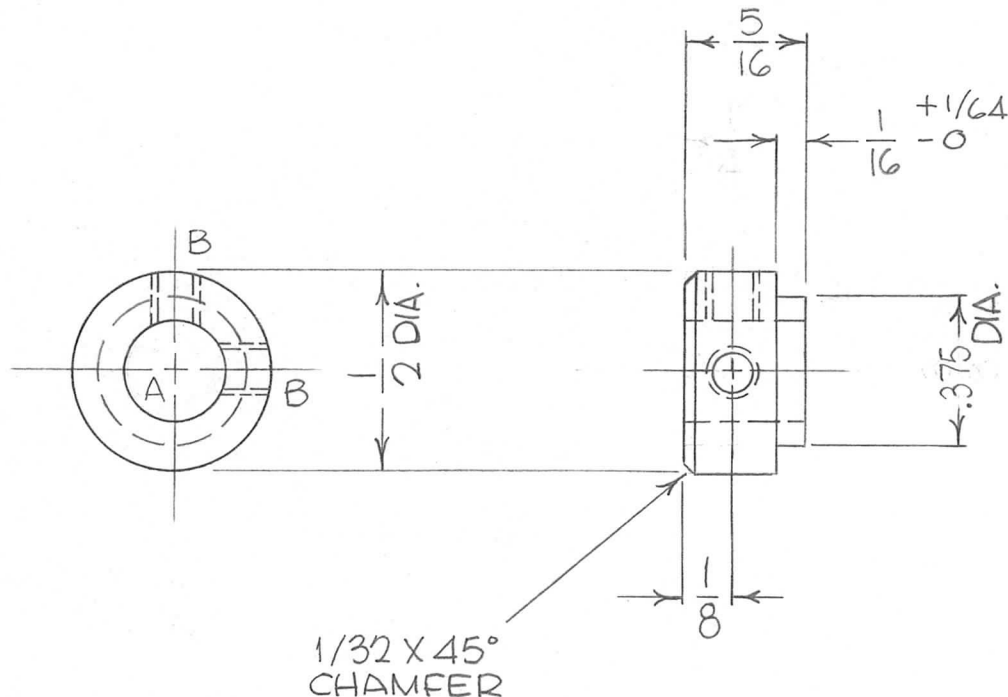


HOLE
 A-.251-.252 DIA. 1
 B- DRILL &
 TAP 6-32 2

REQ. PER UNIT	USED ON		
	MODEL	ASS'Y. NO.	DATE
1	VOX-7		8-18-66
1	LSCA-1		8-18-66
1	MMX-()		8-18-66

PM1327A



MATES WITH LD2146.

REQ.	ITEM	PART NO.	POSE	DESCRIPTION	SK3213LD2	SYMBOL	
		AS NOTED					
A	MOD. MMX-() WAS MMX-1	11-27-67	C.C	cdh	o P	STOCK SIZE	
Ø	ORIGINAL RELEASE FOR PRODUCTION	9.12.66	#	WTO	Hde	STAINLESS STEEL	
SYM	DESCRIPTION	DATE	CH. NO.	DRAFTS	CHECKER	ENG. APP.	
UNLESS OTHERWISE SPECIFIED DIMENSIONS ARE IN INCHES AND INCLUDE CHEMICALLY APPLIED OR PLATED FINISHES		SCALE		2:1			MATERIAL
				303		Jc	
				TYPE & TEMPER HEAT TREAT. SPEC.		DRAWN	
				S104-PASSIVATE		CHECKED	
				FINISH & SPEC. NO.		FINAL APPROVAL	
DECIMALS .X ± .05 .XX ± .01 .XXX ± .005		FRACTIONS ± 1/64 ANGLES ± 0° 30'		CODE		ELEC. DES. APP.	
TOLERANCES						MECH. DES. APP.	
						PM1327A	