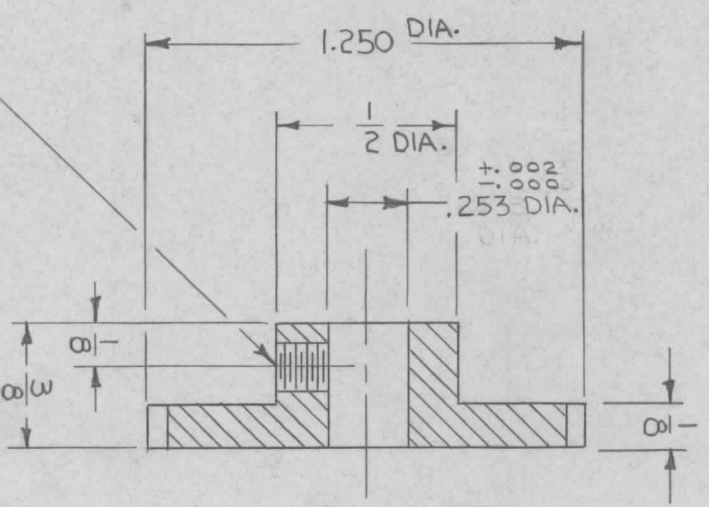
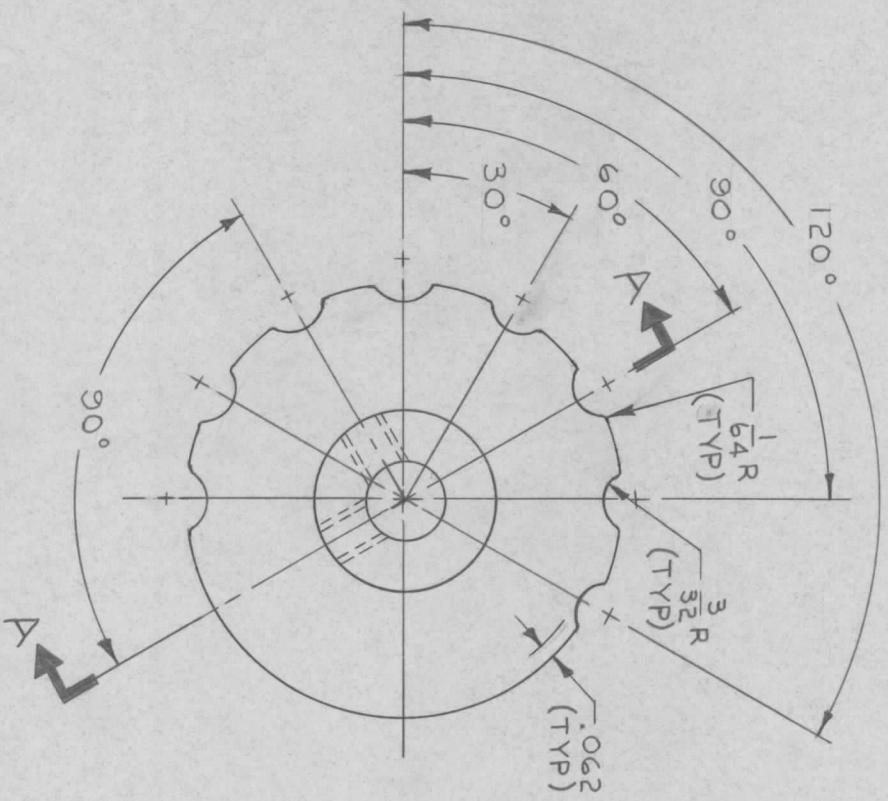


REVISIONS		SYM	DESCRIPTION	DATE	E.M.N. NO.	DRAFT	CHKD	APPD
X	EXPERIMENTAL RELEASE			8/17/66	X	RHE	RME	
X1	CHGD. .2438 $\pm .0003$ DIA TO .253 $\pm .0003$ DIA.			9/22/66	X1	RME		
Ø	ORIGINAL RELEASE FOR PRODUCTION			9/26/66	Ø			

PM1318

SECTION A-A



NO. 36 (.1065) DRILL & TAP NO. 6-32 NC-2B THD (2-PLACES)

QTY./UNIT	1	MODEL USED ON	SMEA-1	ASSY. NO.	
SCALE	2/1	CODE			

THE CONTENTS OF THIS DRAWING ARE THE EXCLUSIVE PROPERTY OF THE TECHNICAL MATERIEL CORP. ITS UNAUTHORIZED USE OR REPRODUCTION IN WHOLE OR IN PART IS STRICTLY FORBIDDEN.

NOTES

LIST OF MATERIAL

REQ'D.	ITEM	PART NUMBER	DESCRIPTION	SYMBOL
	R.HAY		ALUMINUM 2024-T4	
			YELLOW IRIDIUM PER TMC SPEC 5404	

TITLE
CAM, SWITCH, 8 POSITION
MAMARONECK, NEW YORK

UNLESS OTHERWISE SPECIFIED DIMENSIONS ARE IN INCHES AND INCLUDE CHEMICALLY APPLIED OR PLATED FINISHES	DECIMALS .X ± .05 .XX ± .01 .XXX ± .005	TOLERANCES	FRACTIONS ± 1/64 ANGLES ± 0° 30'
DRAWN	RME	DATE	8-4-66
CHECKED	<i>[Signature]</i>	DATE	9/24/66
ELECT. DES.		DATE	
MECH. DES.		DATE	
FINAL APPROVAL	<i>[Signature]</i>	DATE	9/26/66
			PM1318
			Ø