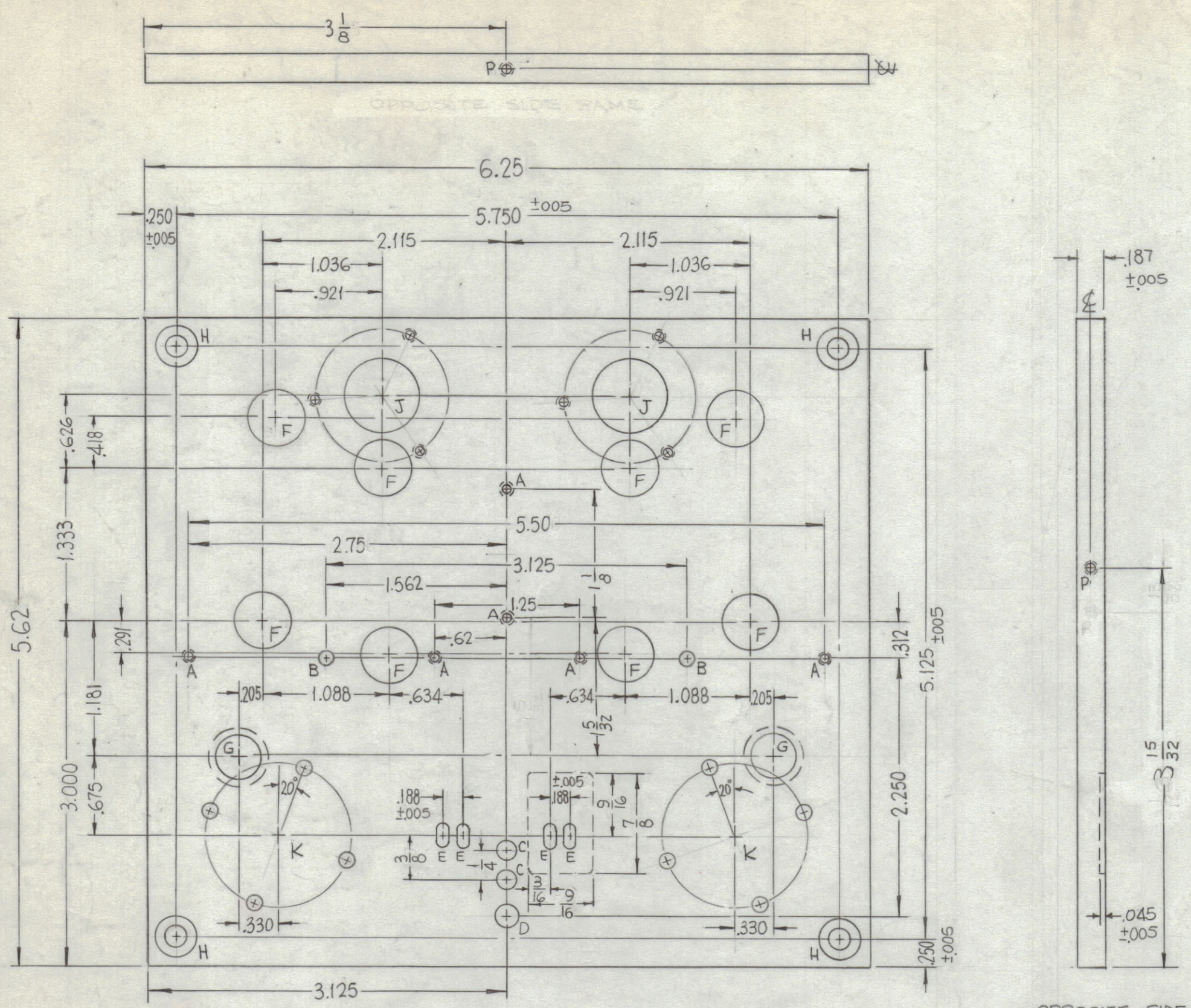
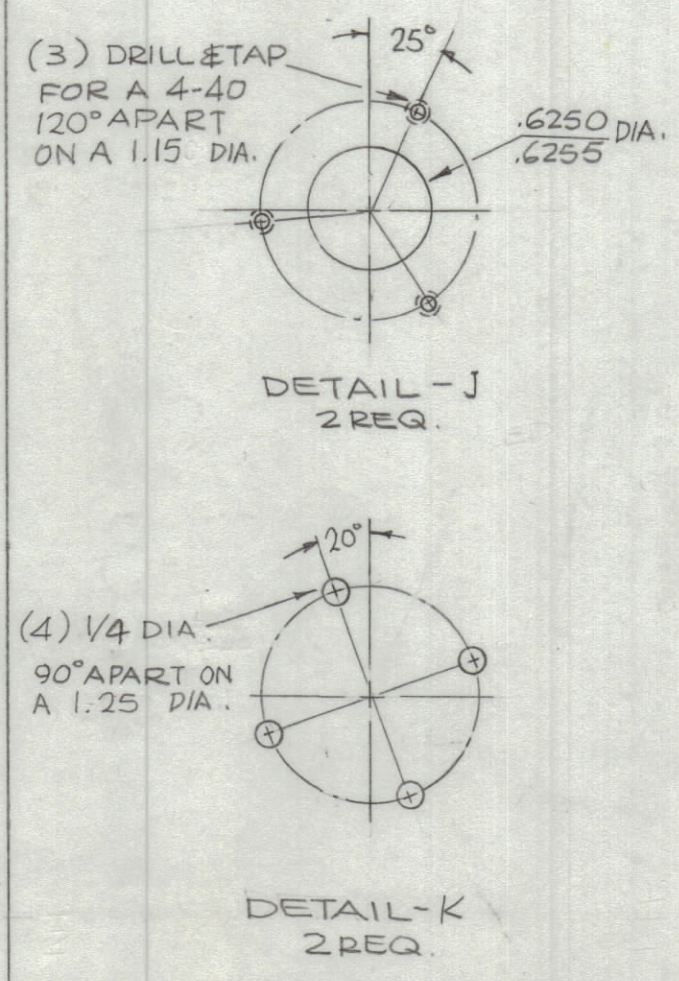


REVISIONS							
ZONE	SYM	DESCRIPTION	DATE	E.M.N. NO.	DRAFT	CHKD	APPD
X		EXP. RELEASE	8-22-64	X	REJ		
X1		.045 WAS .035, N HOLE WAS .112 DEEP	8-23-64	X1	REJ	QCB	AG
Ø		ORIGINAL RELEASE FOR PRODUCTION	11-18-66	Ø	RME		
A		3" HOLES DELETED SAME (TAP VIEW)	6-3-68	18948	HR	1/4	FB



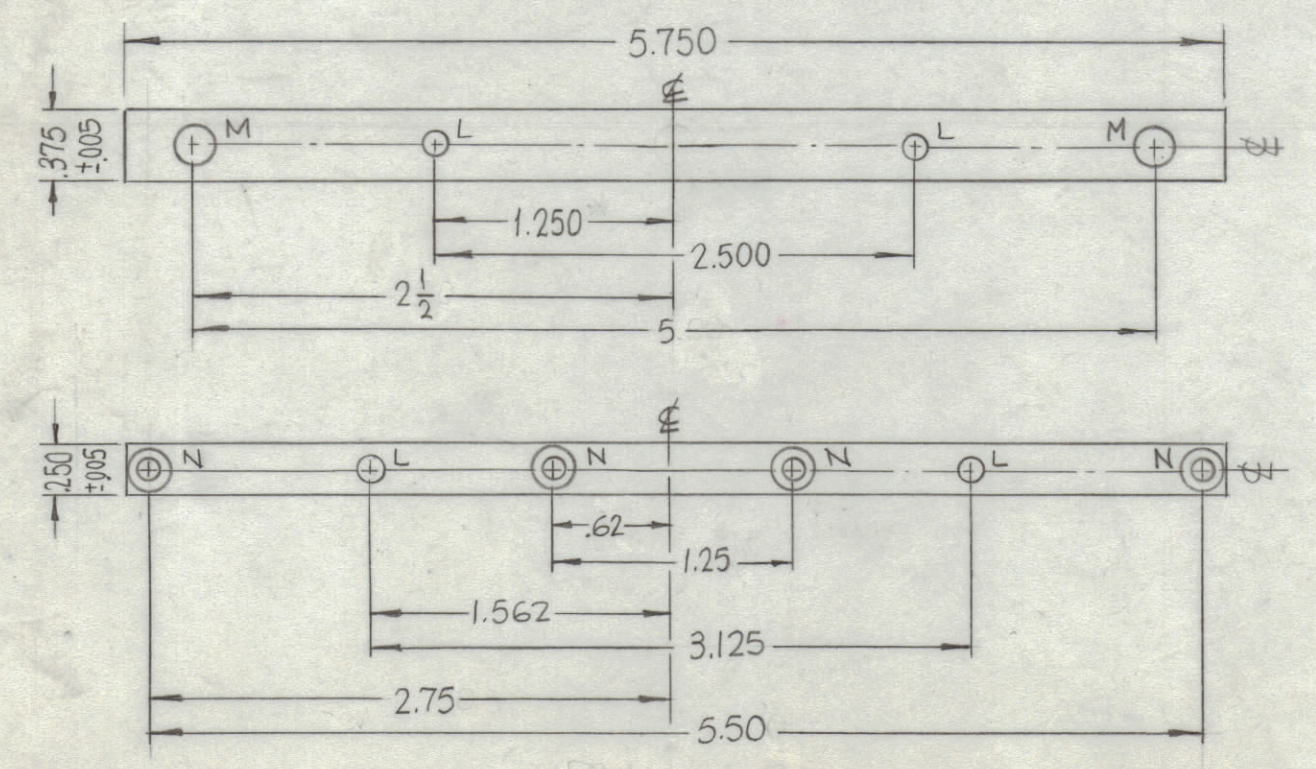
PM1305-1



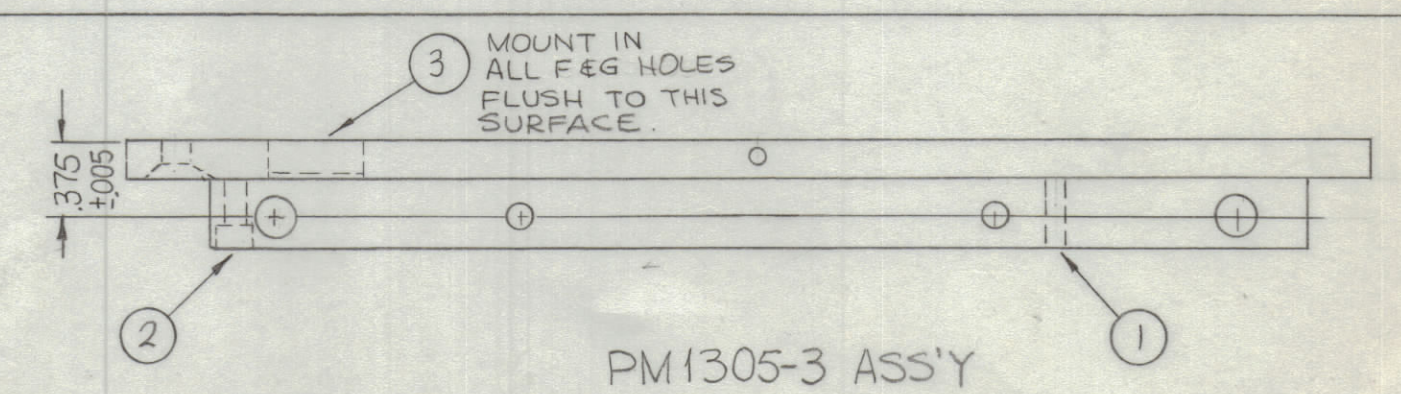
HOLES	DESCRIPTION	REQ
A	DRILL & TAP FOR 4-40	6
B	.1240-.1245 DIA.	2
C	.158 ±.003 DIA.	2
D	3/16 DIA.	1
E	3/32 x 3/16 SLOT	4
F	4990-4995 DIA.	8
G	3/8 DIA. C'BORE 4990-4995 DIA. X.130 DP.	2
H	DR. 169 DIA. C'SINK 82° TO .337 DIA.	4
J	SEE DETAIL	2
K	SEE DETAIL	2
L	.126-.127 DIA.	4
M	3/16	2
N	DR. 1/8 DIA. C'BORE .219 DIA. X.125 DP.	4
P	DRILL & TAP FOR 2-56 X 1/4 DP.	3

OPPOSITE SIDE SAME

PM1305
A



PM1305-2



PM1305-3 ASS'Y

REF: LD2144

REQ'D.	ITEM	PART NUMBER	DESCRIPTION	SYMBOL
10	3	BB126-15	BEARING, RACE	F, G
4	2	SC155-0440SS6	SCREW, SOCKET HEAD	N
2	1	PN116A35	PIN, DOWEL	B, L

F. BUDETTI LIST OF MATERIAL				
MATERIAL	THE TECHNICAL MATERIEL CORP. MAMARONECK, NEW YORK			
FINISH	TITLE			
ALUMINUM	PLATE, GEAR, FRONT			
5404 YEL. IRIDITE				
UNLESS OTHERWISE SPECIFIED DIMENSIONS ARE IN INCHES AND INCLUDE CHEMICALLY APPLIED OR PLATED FINISHES	DRAWN	DATE	FINAL APPROVAL	DATE
DECIMALS .X ± .05 .XX ± .01 .XXX ± .001	11-17-66	11-17-66	11-17-66	11-17-66
FRACTIONS ± 1/64 ANGLES ± 0° 30'	ELECT. DES.	MECH. DES.	DATE	SHEET
	11-17-66	11-17-66	11-17-66	11-17-66
			PM1305	A
				REV. LTR.

NOTES

THE CONTENTS OF THIS DRAWING ARE THE EXCLUSIVE PROPERTY OF THE TECHNICAL MATERIEL CORP. ITS UNAUTHORIZED USE OR REPRODUCTION IN WHOLE OR IN PART IS STRICTLY FORBIDDEN.

ALL DIMENSIONS WITH AN *ASTERISK TOL IS .001