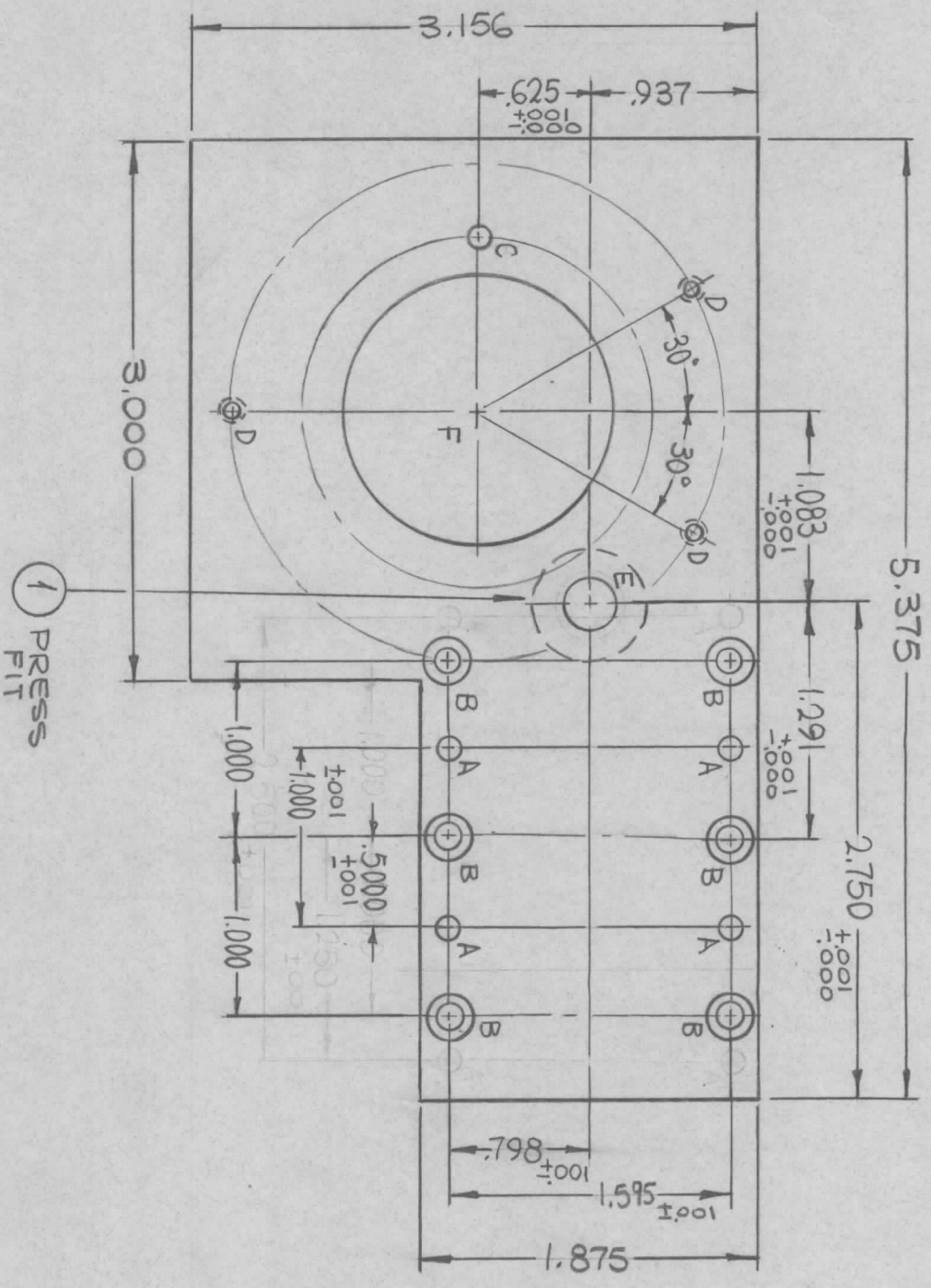


REVISIONS		DATE	E.M.N. NO.	DRAFT	CHKD	APPD
Ø	ORIGINAL RELEASE FOR PRODUCTION	3/14/65	Ø	AAA		JK



HOLES	DESCRIPTION	REQ.
A	.126 ±.005 DIA.	4
B	DRILL 9/64 DIA. C'BORE .218 DIA. X 5/32 DP.	6
C	.128 ±.008 DIA. X 3/16 DP. ON A 984 RAD.	1
D	DRILL & TAP FOR 4-40 ON A 2.744 DIA.	3
E	DRILL 13/32 DIA. C'BORE .6240 DIA. X .196 ±.005 DP. <u>.6245</u>	1
F	1.5005 - 1.5010 DIA.	1

REQD. ITEM	PART NUMBER	DESCRIPTION	SYMBOL
1	BB120-1	BEARING, BALL	E

MATERIAL	TITLE
F. BUDETTI 1/4 THICK ALUMINUM 2024-T4	LIST OF MATERIAL
FINISH S404 YEL. IRIDIOTE	THE TECHNICAL MATERIEL CORP. MAMARONECK, NEW YORK

QTY./UNIT	1	TST( ) 10K	ASSY. NO.	A4286
SCALE	1:1	MODEL USED ON	CODE	A

NOTES

THE CONTENTS OF THIS DRAWING ARE THE EXCLUSIVE PROPERTY OF THE TECHNICAL MATERIEL CORP. ITS UNAUTHORIZED USE OR REPRODUCTION IN WHOLE OR IN PART IS STRICTLY FORBIDDEN.

DRAWN	SRG	DATE	5-14-65	FINAL APPROVAL	DATE
CHECKED	JK	DATE	3-2-66		
ELECT. DES.		DATE			
MECH. DES.	JK	DATE	3/14/65		