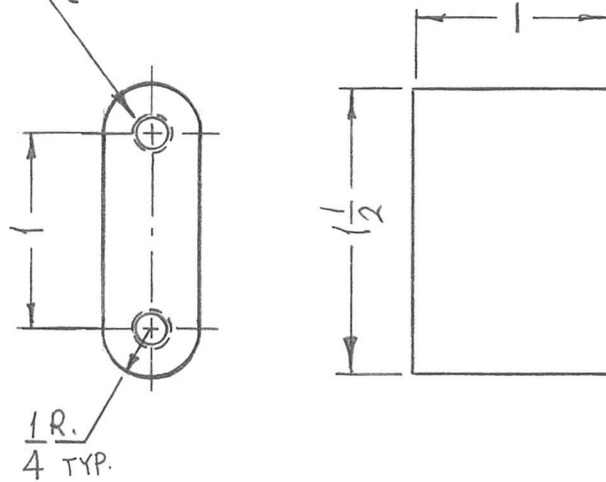


REQ. PER UNIT	USED ON			PM1258	Ø
	MODEL	ASS'Y. NO.	DATE		
1	TSTE-10K		5-24-65		

DRILL & TAP THRU FOR 10-32 (2 REQ.)



SYM	DESCRIPTION	DATE	CH. NO.	DRAFTS	CHECKER	ENG. APP.	REQ. ITEM	PART NO.	F. BUDETTI DESCRIPTION	SYMBOL
Ø	ORIGINAL RELEASE FOR PRODUCTION	3-3-66	-A	Jc	QCB	ave	1/2 THICK		THE TECHNICAL MATERIEL CORP. MAMARONECK. NEW YORK	
							STOCK SIZE			
							ALUMINUM		STANDOFF, CONNECTING	
							MATERIAL			
							2024-T3	SRG	QCB	Mike
							TYPE & TEMPER	DRAWN	CHECKED	FINAL APPROVAL
							HEAT TREAT. SPEC.			
							S245 SILVER PLATE			
							S423 IRIDITE 18-P SILVER KOTE			
							FINISH & SPEC. NO.	ELEC. DES. APP.	MECH. DES. APP.	PM1258 Ø

UNLESS OTHERWISE SPECIFIED DIMENSIONS ARE IN INCHES AND INCLUDE CHEMICALLY APPLIED OR PLATED FINISHES

SCALE 1:1

DECIMALS .X ± .05 .XX ± .01 .XXX ± .005
 FRACTIONS ± 1/64 ANGLES ± 0° 30'
 TOLERANCES
 CODE A