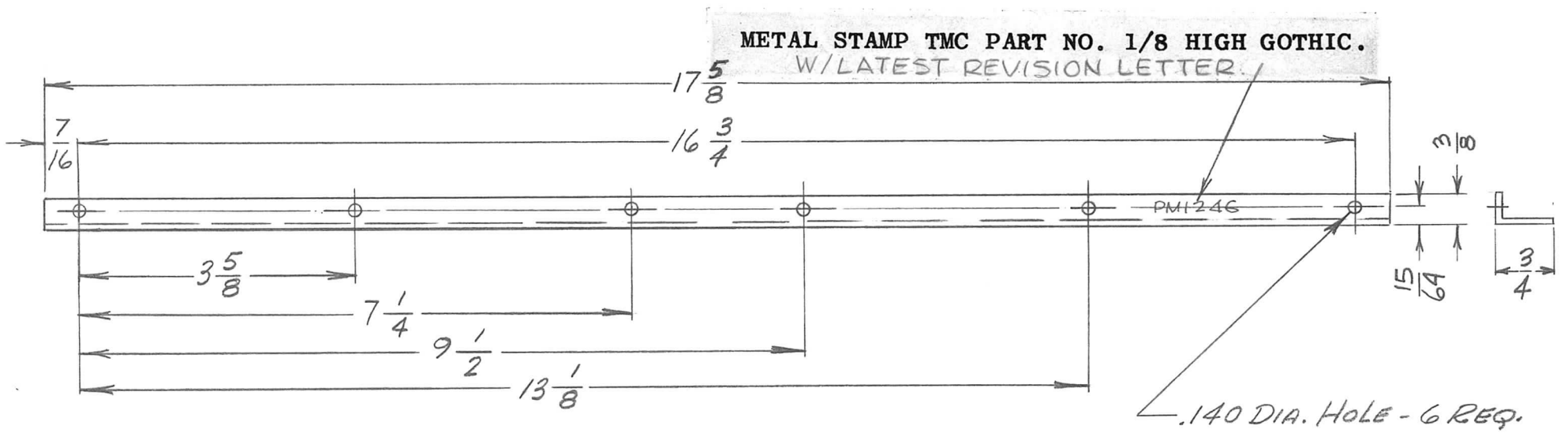


REQ. PER UNIT	USED ON		
	MODEL	ASS'Y. NO.	DATE
2	LRCC-1	AX567	4-22-65
2	LRCM-1	AX568	4-22-65

PM1246  $\emptyset$



SYM	DESCRIPTION	DATE	CH. NO.	DRAFTS	CHECKER	ENG. APP.	REQ. ITEM	PART NO.	ZETENA DESCRIPTION	SYMBOL	
$\emptyset$	ORIGINAL RELEASE FOR PRODUCTION	4-22-65	-A	HLA			3/4 x 3/8 x 3/32 THK		THE TECHNICAL MATERIEL CORP. MAMARONECK, NEW YORK		
							STOCK SIZE		ANGLE, STIFFENER		
							EXTRUDED ALUMINUM				
							ANGLE - SHARP ANGLE				
							MATERIAL				
							6063-T5	H. AUSTIN	JCB	F. E. Eaton	
							TYPE & TEMPER	HEAT TREAT. SPEC.	DRAWN	CHECKED	FINAL APPROVAL
							S404-IRIDITE				
							FINISH & SPEC. NO.	ELEC. DES. APP.	MECH. DES. APP.		

UNLESS OTHERWISE SPECIFIED  
DIMENSIONS ARE IN INCHES AND INCLUDE  
CHEMICALLY APPLIED OR PLATED FINISHES

SCALE  $\frac{1}{2} : 1$

DECIMALS  
.X  $\pm .05$   
.XX  $\pm .01$   
.XXX  $\pm .005$

FRACTIONS  
 $\pm \frac{1}{64}$   
ANGLES  
 $\pm 0^\circ 30'$

TOLERANCES