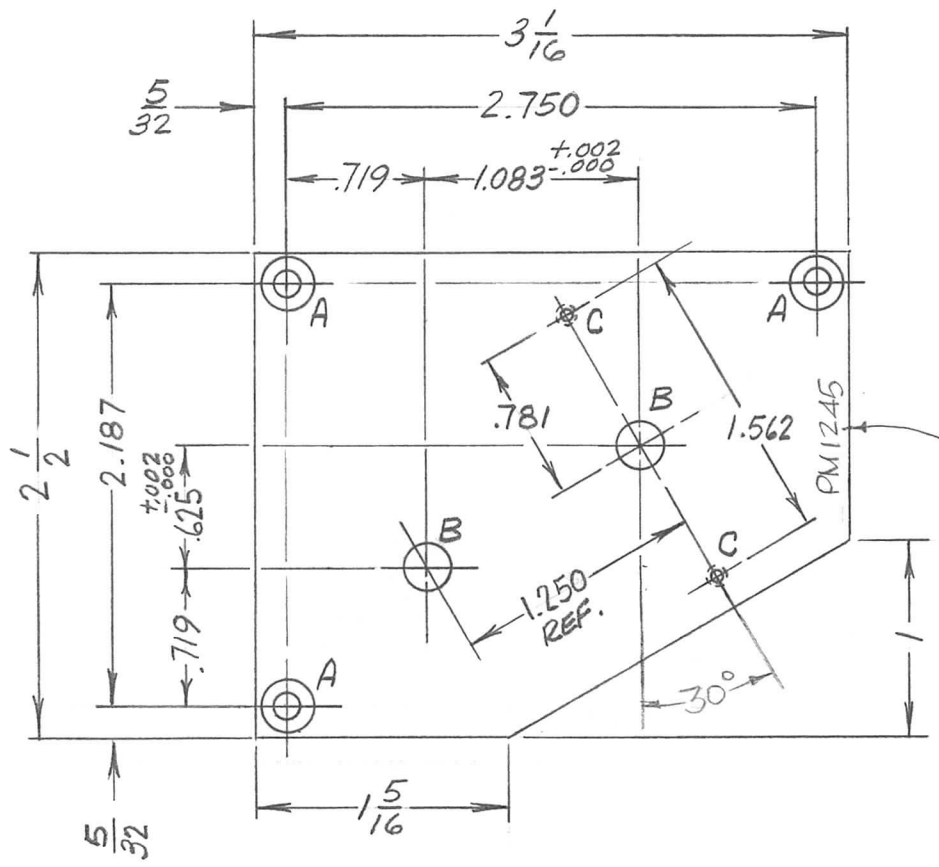


REQ. PER UNIT	USED ON		
	MODEL	ASS'Y. NO.	DATE
1	LRCC-1	AX567	4-22-65
1	LRCM-1	AX658	4-22-65

PM1245 Ø



HOLE	DESCRIPTION	QTY
A	.147 DIA., 82° C'SINK TO .284 DIA.	3
B	.257 DIA.	2
C	4-40 TAP	2

METAL STAMP TMC  
PART NO. 1/8 HIGH  
GOTHIC W/LATEST  
REVISION LETTER.

REF.: LD1864  
LD1866

REQ. ITEM	PART NO.	M. ZETENA	DESCRIPTION	SYMBOL		
	.160		SK3185F PM-2			
	STOCK SIZE	THE TECHNICAL MATERIEL CORP. MAMARONECK, NEW YORK				
	ALUMINUM	PLATE, MC GEAR, FRONT				
	MATERIAL					
Ø	ORIGINAL RELEASE FOR PRODUCTION	4-22-65	ALL			
SYM	DESCRIPTION	DATE	CH. NO.	DRAFTS	CHECKER	ENG. APP.
UNLESS OTHERWISE SPECIFIED DIMENSIONS ARE IN INCHES AND INCLUDE CHEMICALLY APPLIED OR PLATED FINISHES		SCALE		2024-T3		
		1:1		H. Austin		
				JCB		
				J.E. Eaton		
				DRAWN		
				CHECKED		
				FINAL APPROVAL		
DECIMALS .X ± .05 .XX ± .01 .XXX ± .005		FRACTIONS ± 1/64 ANGLES ± 0° 30'		CODE		
TOLERANCES				5404 YELLOW IRIDITE		
				FINISH & SPEC. NO.		
				ELEC. DES. APP.		
				MECH. DES. APP.		
				PM1245 Ø		