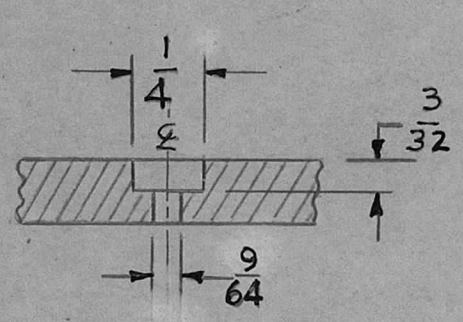
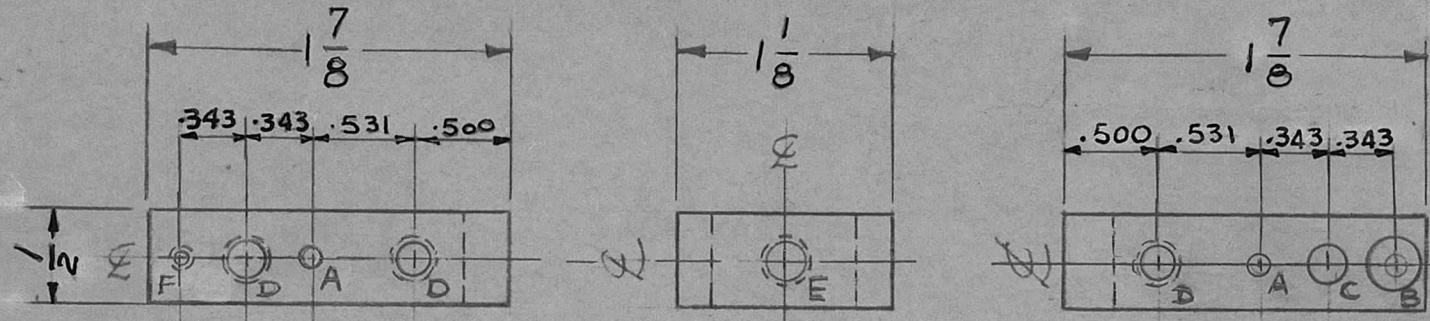
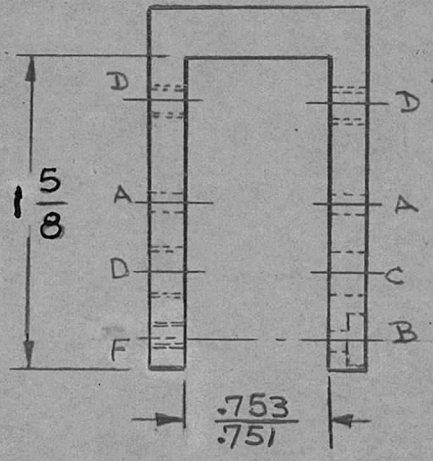


REQ. PER. UNIT	USED ON			PM1243 ∅
	MODEL	ASS'Y. NO.	DATE	
7	TSTE-10K		4-13-65	



"B"  
2-REQ'D



- A - 7/64 DIA. 2 REQ'D
- B - SEE DETAIL 1 REQ'D
- C - 13/64 (.263) DIA 1 REQ'D
- D - DRILL & TAP FOR .10-32 3 - REQ'D
- E - DRILL & TAP FOR 1/4-20 1 - REQ'D
- F - DRILL & TAP FOR 440 1 REQ'D

				REQ. ITEM	PART NO.	F. BUDETTI	DESCRIPTION	SYMBOL		
				#		THE TECHNICAL MATERIEL CORP.				
				STOCK SIZE		MAMARONECK, NEW YORK				
				BRASS		CONTACT, BAR				
				MATERIAL		P/O - AS-102				
∅	ORIGINAL RELEASE FOR PRODUCTION	4/20/66	CV.	JHE	HALF HARD	#	SRG	Q/B Q/B M/Kay		
ISSUE ITEM	CHANGED FROM	DATE	CH. NO.	DRAFTS	CHECKER	ENG. APP.	DRAWN	CHECKED	FINAL APPROVAL	
TOLERANCES		SCALE:			TYPE & TEMPER		HEATTREAT. SPEC.		DRAWN	
DEC. DIM. ± .005		MAXIMUM ALLOWABLE TOLERANCES HAVE BEEN DETERMINED AND ANY DEVIATIONS WILL BE CAUSE FOR REJECTION. REMOVE ALL BURRS AND SHARP EDGES			RHODIUM		ϕ.000025		PM1243 ∅	
FRAC. DIM. ±					FINISH & SPEC. NO.		ELEC. DES. APP		MECH. DES. APP	
ANGULAR DIM. ±		1-1314								