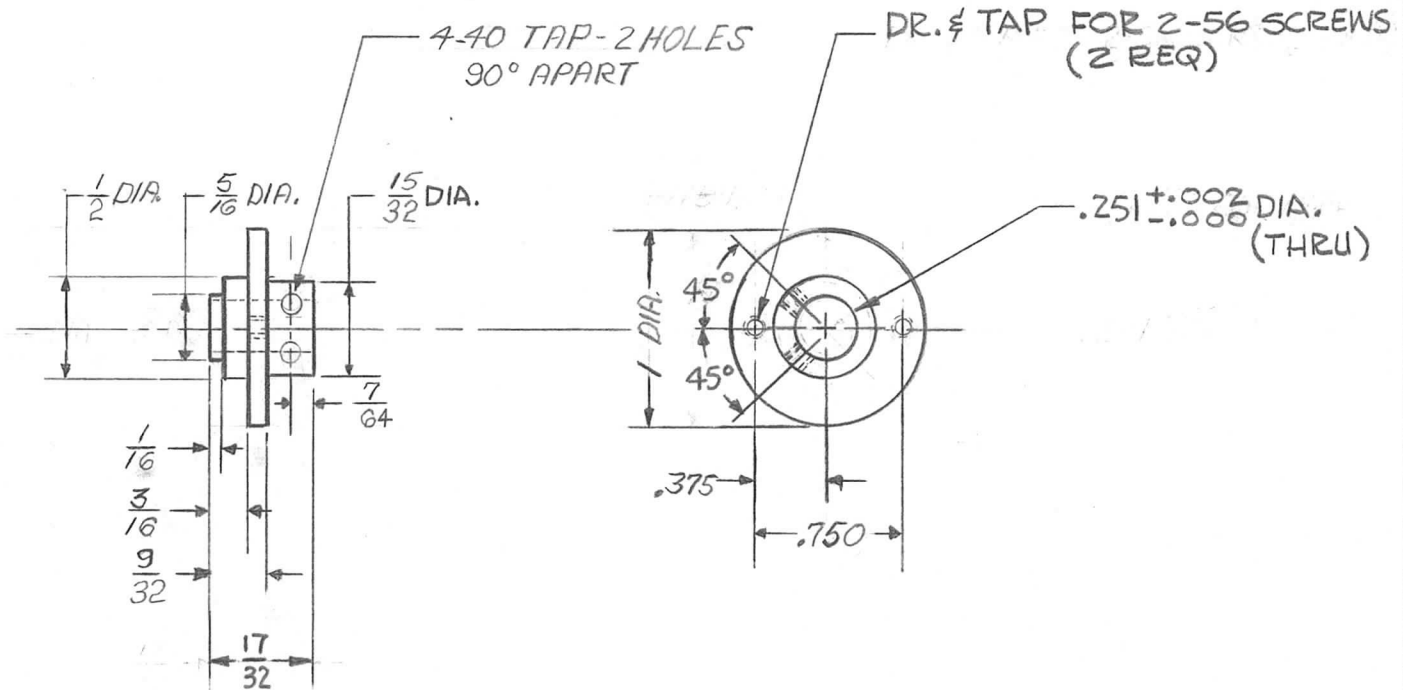


REQ. PER UNIT	USED ON			PM1225	Ø
	MODEL	ASS'Y. NO.	DATE		
	AFCR - 3		3-23-65		



REQ.	ITEM	PART NO.	DESCRIPTION				SYMBOL
Ø			THE TECHNICAL MATERIEL CORP. MAMARONECK. NEW YORK				
			STOCK SIZE				
X			BRASS				ADAPTER, POINTER
			MATERIAL				
					C. LANZA	Ø	Ø
			TYPE & TEMPER	HEAT TREAT. SPEC.	DRAWN	CHECKED	FINAL APPROVAL
			NICKEL PLATE S135				PM1225
			FINISH & SPEC. NO.		ELEC. DES. APP.	MECH. DES. APP.	
UNLESS OTHERWISE SPECIFIED DIMENSIONS ARE IN INCHES AND INCLUDE CHEMICALLY APPLIED OR PLATED FINISHES			SCALE				
DECIMALS	TOLERANCES	FRACTIONS	CODE				
.X ± .05		± 1/64					
.XX ± .01		ANGLES					
.XXX ± .005		± 0° 30'					