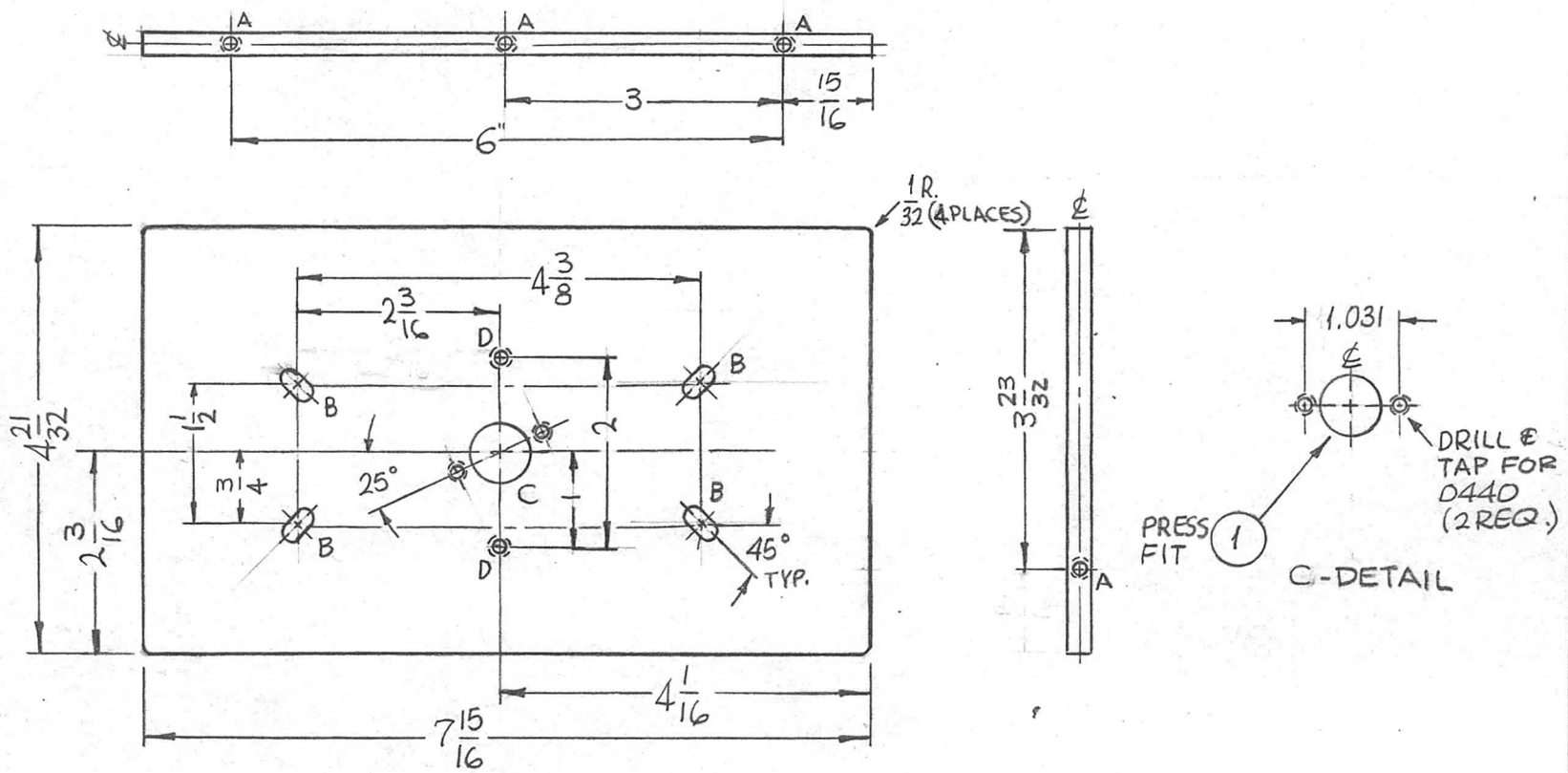


HOLES	DESCRIPTION	REQ.
A	DRILL & TAP FOR 8-32 X 1/2 DR.	4
B	3/16 X 3/8 SLOTS	4
C	SEE DETAIL	1
D	DRILL & TAP FOR 6-32	2

REQ. PER UNIT	USED ON		
	MODEL	ASS'Y. NO.	DATE
1	RFTA-1		12-10-64

PM1208 Ø



REQ.	ITEM	PART NO.	DESCRIPTION	SYMBOL				
1	1	BB120-1	BEARING, RACE					
Ø	ORIGINAL RELEASE FOR PRODUCTION		6-23-66	# WHO				
X ₁	D HOLES ADDED		7-27-65	X ₁ SRG				
X	EXP. RELEASE		12-10-64	X SRG				
SYM	DESCRIPTION	DATE	CH. NO.	DRAFTS	CHECKER	ENG. APP.		
UNLESS OTHERWISE SPECIFIED DIMENSIONS ARE IN INCHES AND INCLUDE CHEMICALLY APPLIED OR PLATED FINISHES		SCALE	1/2:1					
DECIMALS .X ± .05 .XX ± .01 .XXX ± .005	TOLERANCES	FRACTIONS ± 1/64 ANGLES ± 0° 30'	CODE	A				
2024-T3		SRG	TYPE & TEMPER		HEAT TREAT. SPEC.	DRAWN	CHECKED	FINAL APPROVAL
S404 YELLOW IRIDITE		QA 6/20/66	FINISH & SPEC. NO.		ELEC. DES. APP.	MECH. DES. APP.	PM1208 Ø	