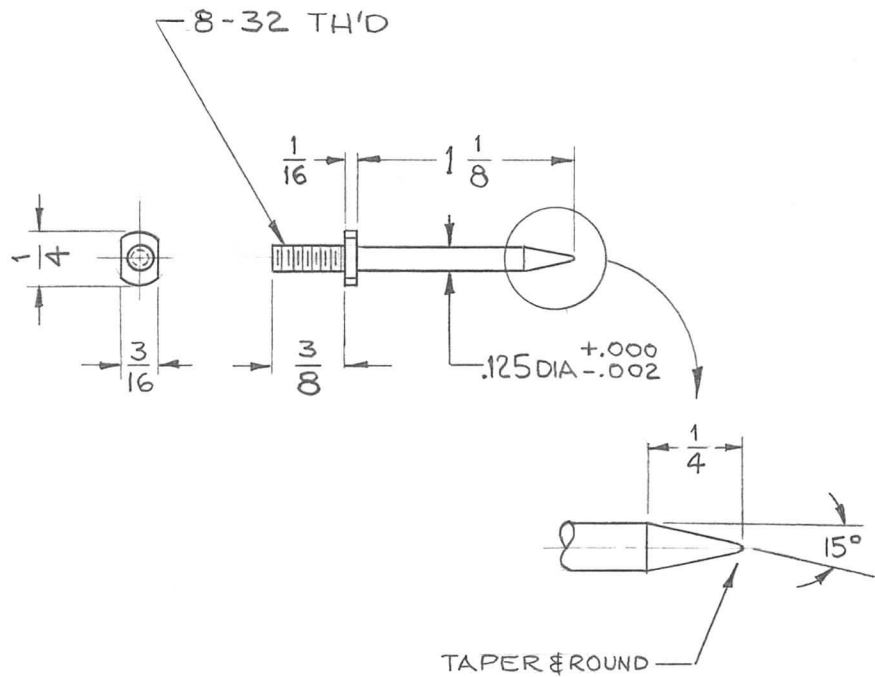
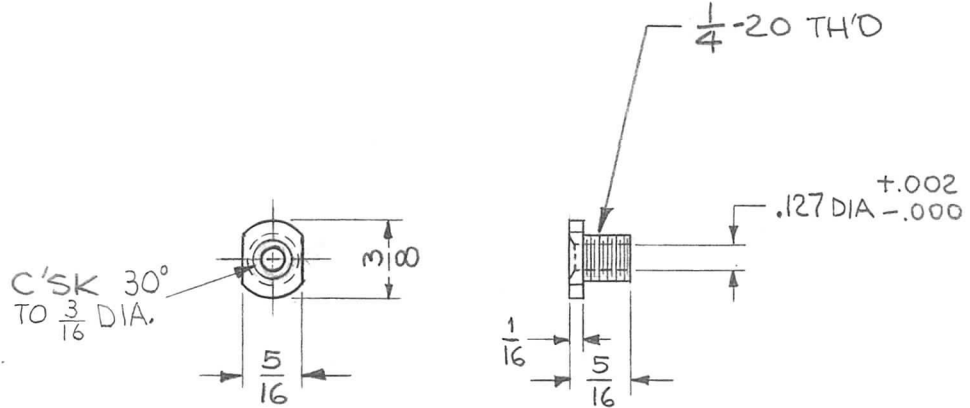


REQ. PER UNIT	USED ON			PM1204	A
	MODEL	ASS'Y. NO.	DATE		
5	TST () 10K	AX545	4.30.65		



PM1204-1



PM1204-2

REQ.	ITEM	PART NO.	F. BUDETTI	DESCRIPTION	SYMBOL
				THE TECHNICAL MATERIEL CORP. MAMARONECK. NEW YORK	
A				PIN & GUIDE	
				BRASS	
				MATERIAL	
				FREE MACHINING	
				TYPE & TEMPER	
				HEAT TREAT. SPEC.	
				DRAWN	
				CHECKED	
				FINAL APPROVAL	
				PM1204	A
				FINISH & SPEC. NO.	
				ELEC. DES. APP.	
				MECH. DES. APP.	

UNLESS OTHERWISE SPECIFIED
DIMENSIONS ARE IN INCHES AND INCLUDE
CHEMICALLY APPLIED OR PLATED FINISHES

DECIMALS
.X ± .05
.XX ± .01
.XXX ± .005

FRACTIONS
± 1/64
ANGLES
± 0° 30'

TOLERANCES

SCALE
1:1

CODE
A