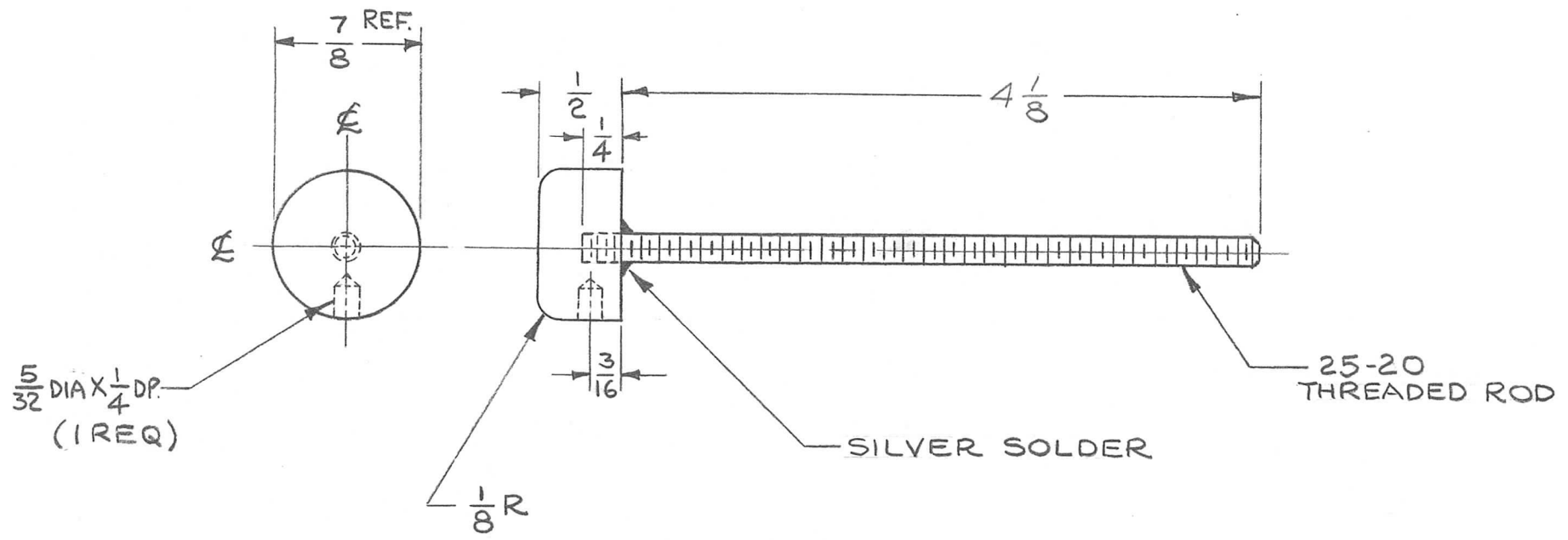


REQ. PER UNIT	USED ON			PM1160	A
	MODEL	ASS'Y. NO.	DATE		
7	HVRB-1	AX543	12.21.64		



REQ. ITEM	PART NO.	BUDETTI	DESCRIPTION	SYMBOL
A	7/8 DIA. ROD		THE TECHNICAL MATERIEL CORP. MAMARONECK, NEW YORK	
Ø	STOCK SIZE		CONTACT BUTTON	
X	BRASS			
SYM	MATERIAL			
UNLESS OTHERWISE SPECIFIED DIMENSIONS ARE IN INCHES AND INCLUDE CHEMICAL AND PLATED FINISHES		SCALE	1:1	
DEF	FRACTIONS 1/64	CODE	Δ	
	TYPE & TEMPER	HEAT TREAT. SPEC.	DRAWN	CHECKED
	5135-NICKEL PLATE		1.14.65	QCBS
	FINISH & SPEC. NO.	ELEC. DES. APP.	MECH. DES. APP.	FINAL APPROVAL
				PM1160 A