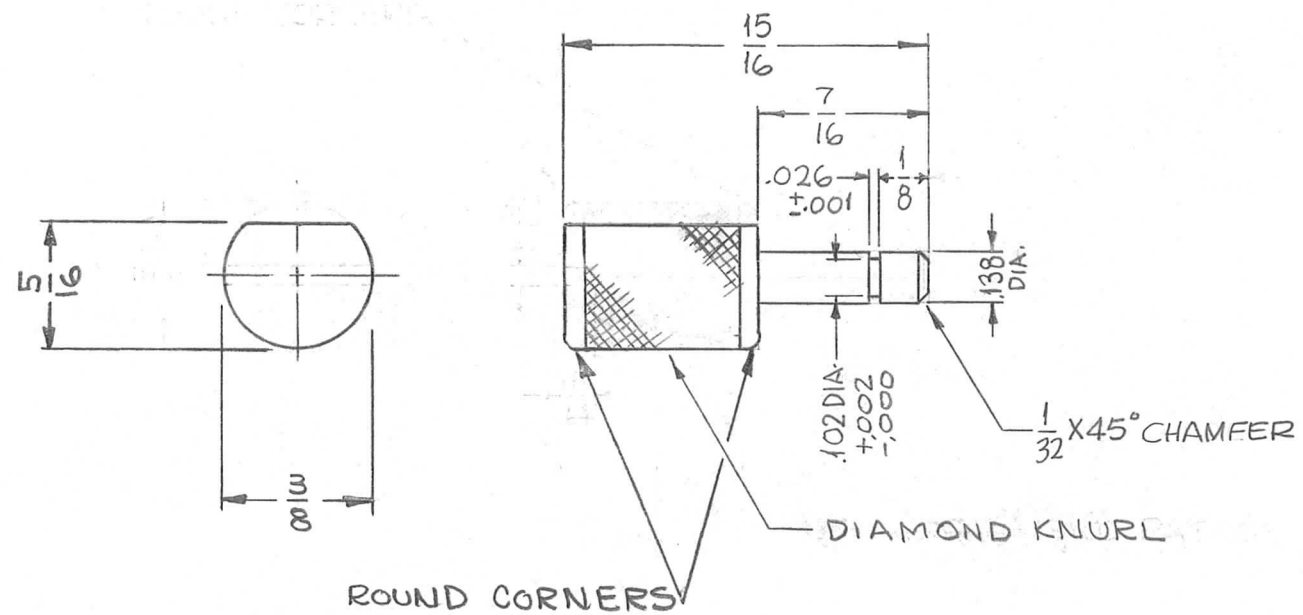


REQ. PER UNIT	USED ON		
	MODEL	ASS'Y. NO.	DATE
1	LFRA-1	A3988	11-12-64

PM1152 B



REMOVE ALL BURRS & SHARP EDGES

B	DIM 5/16 WAS 3/8 DIA. DIM 3/8 ADDED; FLAT ADDED	4-15-65	13809	<i>SRG</i>	<i>RCB</i>		REQ. ITEM	PART NO.	0 POSE	DESCRIPTION	SYMBOL
A	KNURL WAS STRAIGHT	1-5-65	13173	<i>SRG</i>	<i>RCB</i>		3/8 DIA. BAR		THE TECHNICAL MATERIEL CORP. MAMARONECK. NEW YORK		
Ø	ORIGINAL RELEASE FOR PRODUCTION	11-25-64	Ø	<i>SRG</i>			STOCK SIZE		STOP, ANTENNA		
X	EXP. RELEASE	11-12-64	X	<i>SRG</i>			STAINLESS STEEL				
SYM	DESCRIPTION	DATE	CH. NO.	DRAFTS	CHECKER	ENG. APP.	MATERIAL				
UNLESS OTHERWISE SPECIFIED DIMENSIONS ARE IN INCHES AND INCLUDE CHEMICALLY APPLIED OR PLATED FINISHES		SCALE					#303		SRG	@ 11-17-64	<i>RCB</i>
DECIMALS .X ± .05 .XX ± .01 .XXX ± .005		FRACTIONS ± 1/64 ANGLES ± 0° 30'		CODE A			TYPE & TEMPER	HEAT TREAT. SPEC.	DRAWN	CHECKED	FINAL APPROVAL
TOLERANCES					S104 PASSIVATE		<i>SRG</i>	<i>M. Hoffman</i>	PM1152 B		
					FINISH & SPEC. NO.		ELEC. DES. APP.	MECH. DES. APP.			