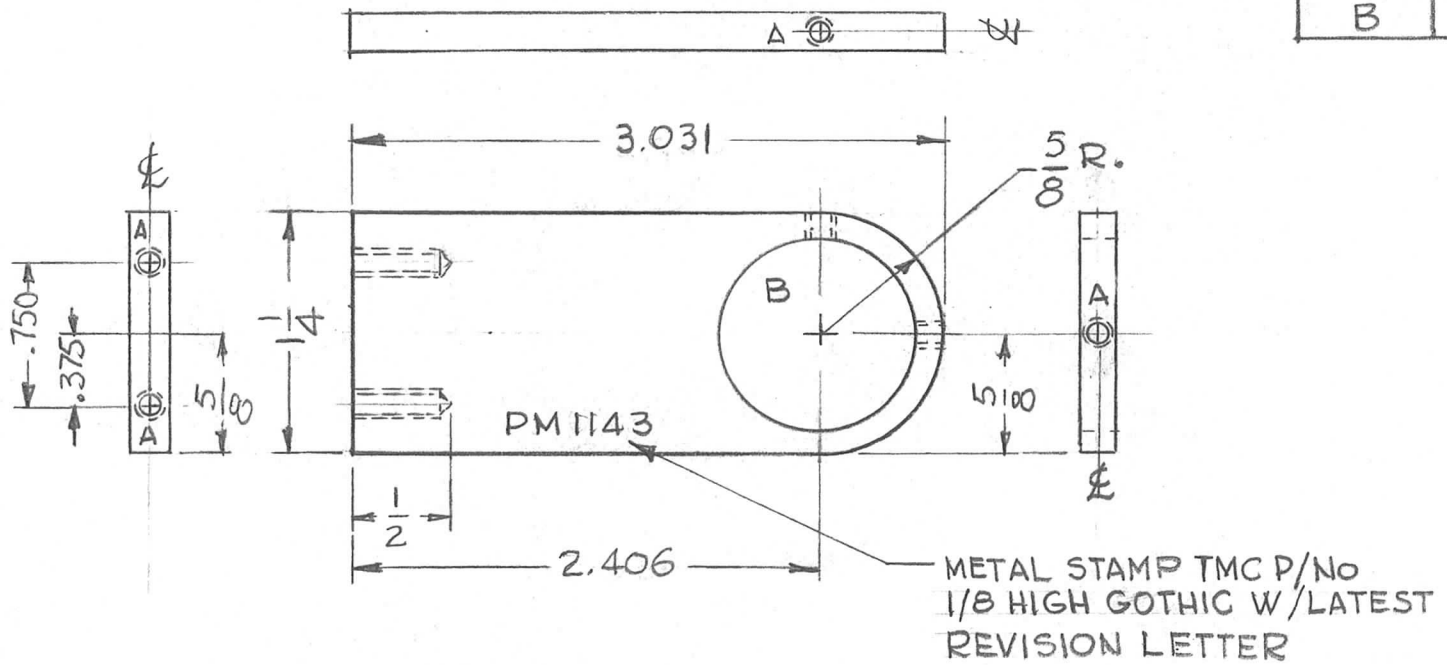


PRELIMINARY DRAWING

REQ. PER UNIT 1	USED ON		PM1143 \emptyset
	MODEL VLRB-1	DATE 11-17-64	

Use For Production

HOLE	DESCRIPTION	REQ.
A	DR. & TAP 4-40	4
B	1.000 \pm .002 / $-$.000 DIA.	1



SYM	DESCRIPTION	DATE	CH. NO.	DRAFTS	CHECKER	ENG. APP.	REQ. ITEM	PART NO.	O. POSE	DESCRIPTION	SYMBOL	
\emptyset	ORIGINAL RELEASE FOR PRODUCTION	4.9.65	\emptyset	\emptyset	\emptyset			3/16 THK.		THE TECHNICAL MATERIEL CORP.		
X	EXPER. RELEASE	11-16-64			G.D.L.			STOCK SIZE		MAMARONECK.		
								ALUMINUM		NEW YORK		
								MATERIAL		BRACKET MTG. DIAL		
										(RIGHT)		
	UNLESS OTHERWISE SPECIFIED DIMENSIONS ARE IN INCHES AND INCLUDE CHEMICALLY APPLIED OR PLATED FINISHES	SCALE	1:1					2024-T3		G.D.L.	@	<i>[Signature]</i>
							TYPE & TEMPER	HEAT TREAT. SPEC.	DRAWN	CHECKED	FINAL APPROVAL	
	DECIMALS .X \pm .05 .XX \pm .01 .XXX \pm .005	FRACTIONS \pm 1/64 ANGLES \pm 0° 30'	CODE A				S404 YEL. IRIDITE			<i>[Signature]</i>	PM1143 \emptyset	
	TOLERANCES						FINISH & SPEC. NO.		ELEC. DES. APP.	MECH. DES. APP.		