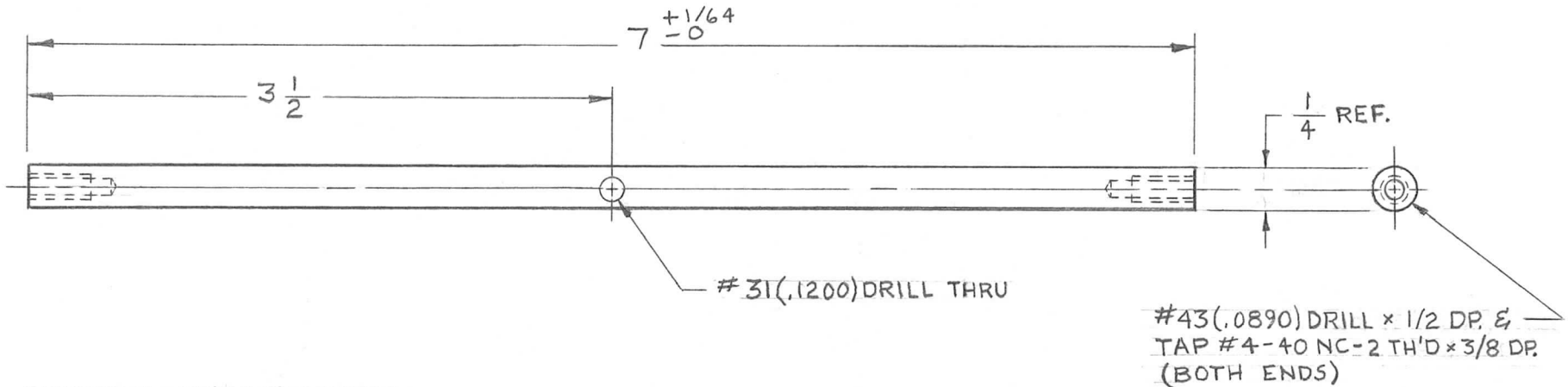


REQ. PER UNIT	USED ON			PM 1117	Q
	MODEL	ASS'Y. NO.	DATE		
1	RTMU-1	A3908	10-22-64		
1	RTPA-1	A3684	10-22-64		



MATERIAL SPECIFICATIONS

MATERIAL - 1/4 DIA ALUMINUM ROD, 2024-T4
 FINISH - YELLOW IRIDITE PER S404

REMOVE ALL BURRS & SHARP EDGES.

REQ.	ITEM	PART NO.	EATON			DESCRIPTION SK 3071 PM-4	SYMBOL	
		—	THE TECHNICAL MATERIEL CORP.			MAMARONECK, NEW YORK		
Q	ORIGINAL RELEASE FOR PRODUCTION	1-18-65	Q	JL	J.M	GUIDE-HOOK, EXTRACTOR		
X	EXPER. RELEASE			JL				
SYM	DESCRIPTION	DATE	CH. NO.	DRAFTS	CHECKER	ENG. APP.		
UNLESS OTHERWISE SPECIFIED DIMENSIONS ARE IN INCHES AND INCLUDE CHEMICALLY APPLIED OR PLATED FINISHES		SCALE	1:1					
DECIMALS .X ± .05 .XX ± .01 .XXX ± .005	TOLERANCES	FRACTIONS ± 1/64 ANGLES ± 0° 30'	CODE A					
						J. Swora	JM @ RC	
						TYPE & TEMPER	HEAT TREAT. SPEC.	
						FINISH & SPEC. NO.		
						ELEC. DES. APP.	MECH. DES. APP.	
						PM 1117	Q	