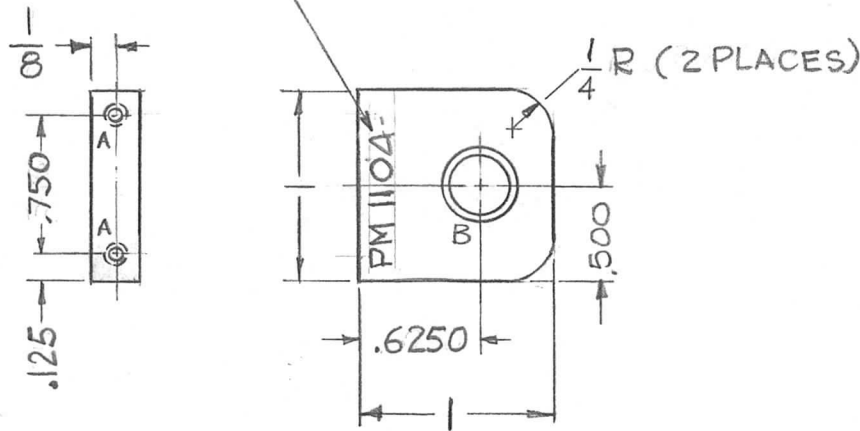


REQ. PER UNIT	USED ON		PM 1104 \emptyset
	MODEL	DATE	
2	VLRB-1	10.20.64	

METAL STAMP TMC PART NO. 1/8 HIGH GOTHIC.
WITH LATEST REVISION LETTER

HOLE	DESCRIPTION	REQ.
A	DR. & TAP 6-32 x 1/2 DEEP	2
B	DR 7/16 DIA. THRU & C'BORE .4999 - .4996 DIA x .1250 DEEP	1



REMOVE BURRS & SHARP EDGES

SYMBOL	DESCRIPTION	DATE	CH. NO.	DRAFTS	CHECKER	ENG. APP.	REQ. ITEM	PART NO.	O. POSE	DESCRIPTION	SYMBOL
\emptyset	ORIGINAL RELEASE FOR PRODUCTION	4.9.65	\emptyset	92				1/4 THICK		THE TECHNICAL MATERIEL CORP. MAMARONECK, NEW YORK	
X1	DIM. C'BORE .4999 WAS .4997	12-2-64		G.D.L.				STOCK SIZE			
X	"B" DIM. CHANGED	10.30.64		J.L.				ALUMINUM		BRACKET, CAM. MTG	
								MATERIAL			
UNLESS OTHERWISE SPECIFIED DIMENSIONS ARE IN INCHES AND INCLUDE CHEMICALLY APPLIED OR PLATED FINISHES		SCALE		1:1			2024T3		J.L.	\emptyset	<i>[Signature]</i>
							TYPE & TEMPER	HEAT TREAT. SPEC.	DRAWN	CHECKED	FINAL APPROVAL
DECIMALS .X \pm .05 .XX \pm .01 .XXX \pm .005		FRACTIONS \pm 1/64 ANGLES \pm 0° 30'		CODE A			S404 YELLOW IRIDITE			<i>[Signature]</i>	PM 1104 \emptyset
							FINISH & SPEC. NO.	ELEC. DES. APP.	MECH. DES. APP.		