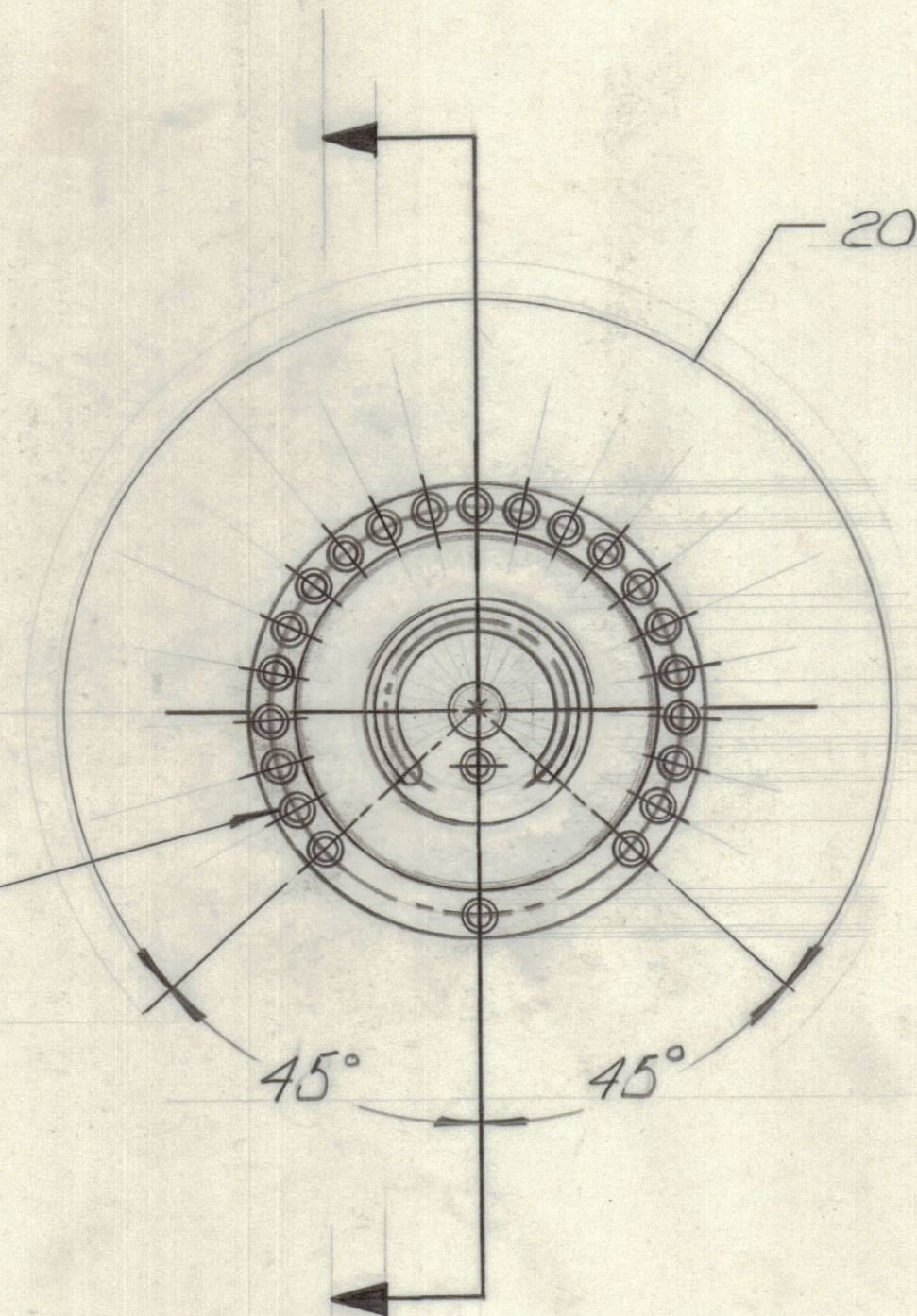


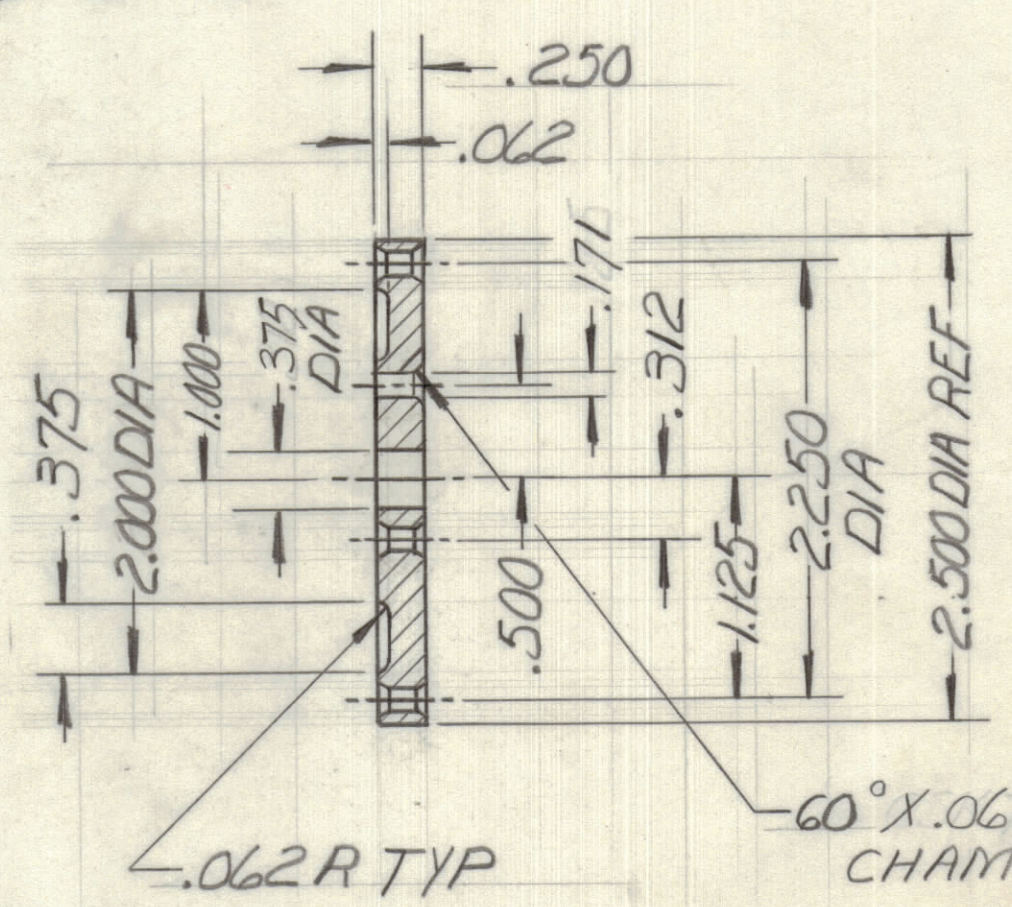
| IF IT IS FOUND DESIRABLE TO CHANGE ANY TOLERANCE OR OTHER DETAIL SPECIFIED ON THIS DRAWING NOTIFY THE PURCHASER PROMPTLY. | | | | DIMENSIONS IN INCHES UNLESS OTHERWISE SPECIFIED | | | |
|---|------|---------------|------------|---|--------|---------|------------|
| MAXIMUM ALLOWABLE TOLERANCES HAVE BEEN DETERMINED AND DEVIATIONS WILL BE CAUSE FOR REJECTION. REMOVE ALL BURRS AND SHARP EDGES. | | | | | | | |
| ISSUE | ITEM | CHANGED FROM | DATE | CH. NO. | DRAFTS | CHECKER | ENGR. APP. |
| 0 | | PROD RELEASE | JULY 16/71 | | RW | DA | JA |
| X6 | | .171 WAS .125 | 5/71 | | RW | | |

| REQ. | ITEM | PART NO. | DESCRIPTION | SYMBOL |
|------|------|----------|-------------|--------|
|------|------|----------|-------------|--------|



20 EQUAL SPACES OF 13° 30'

.125 DIA & CSK .180 DIA X 60°
TYP 23 HOLES
CSK BOTH SIDES



60° X .06 DEEP
CHAMFER TYP

PM10100 Ø

| | | |
|------------|--|---|
| TOLERANCES | | SCALE: 1/1 |
| ALL OTHERS | DEC. DIM. ± .015 FRAC. DIM. ± 1/64 ANGULAR DIM. ± 0° 30' | DRILL, PUNCH, COMMERCIAL STOCK SIZES AND MANUFACTURERS TOLERANCES ARE NOT INCLUDED. |

| | | | |
|---------|-------------|------------|-----------|
| LPA | 088/71 | CL10045 | 29 MAR 71 |
| MODEL | PROJECT NO. | ASS'Y. NO. | DATE |
| USED ON | | | |

| | | | |
|--------------------|----------------|----------------------|-----------------|
| 2.500 DIA | | TMC (Canada) LIMITED | |
| STOCK SIZE | | OTTAWA ONTARIO | |
| NYLON | | SPACER - END | |
| MATERIAL | WEIGHT PER PC. | | |
| TYPE & TEMPER | | WILLIAMS | |
| | | DRAWN | ELEC. DES. APP. |
| HEAT TREAT. SPEC. | | CHECKED | FINAL APPROVAL |
| FINISH & SPEC. NO. | | PM10100 Ø | |