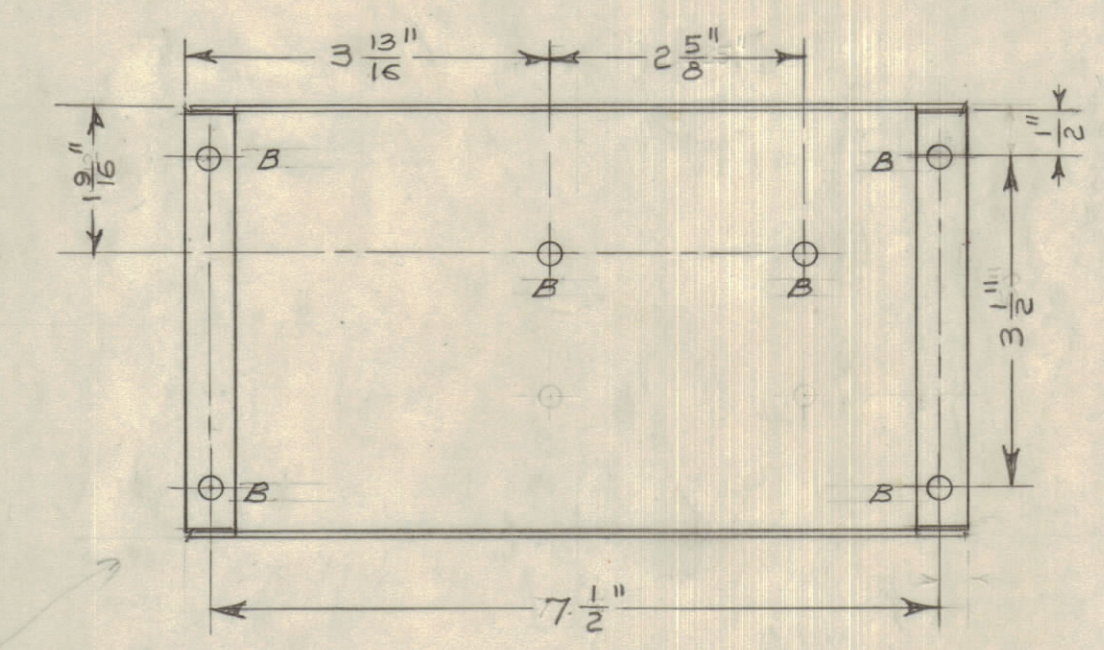
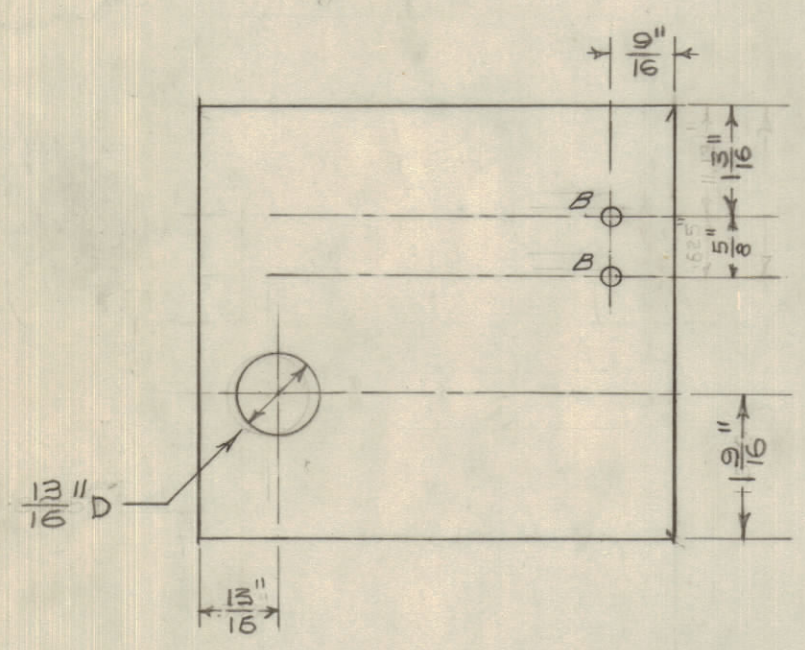
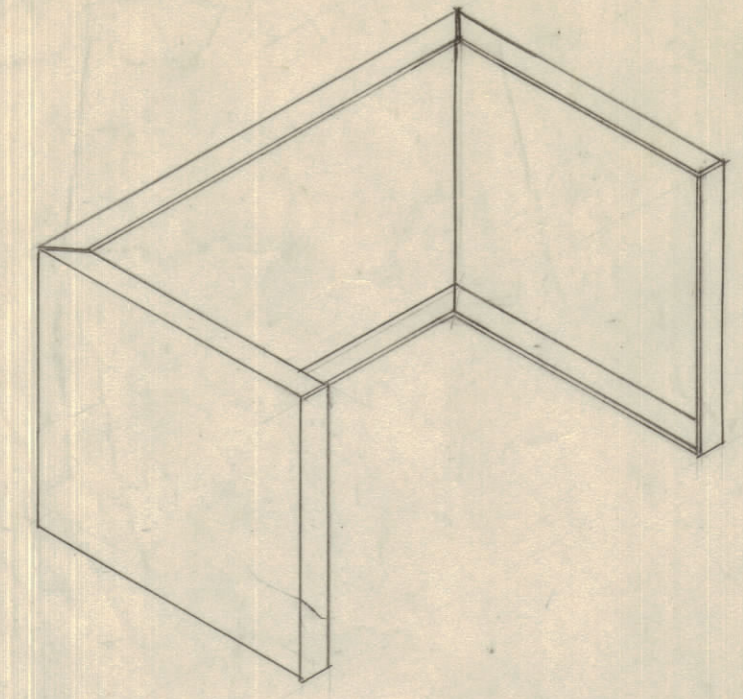
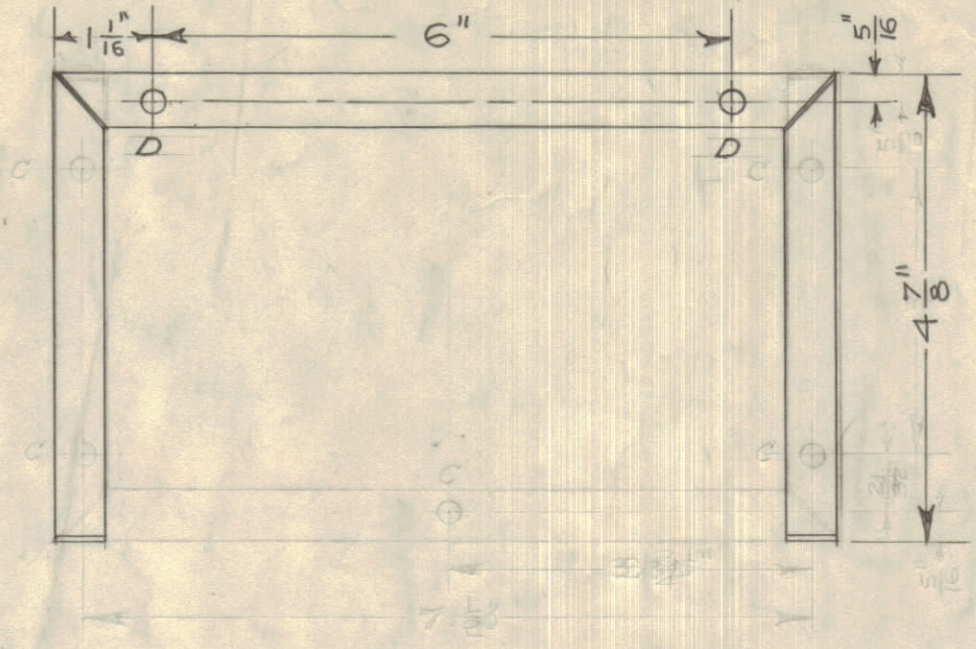


**NOTICE TO PERSONS RECEIVING THIS DRAWING**

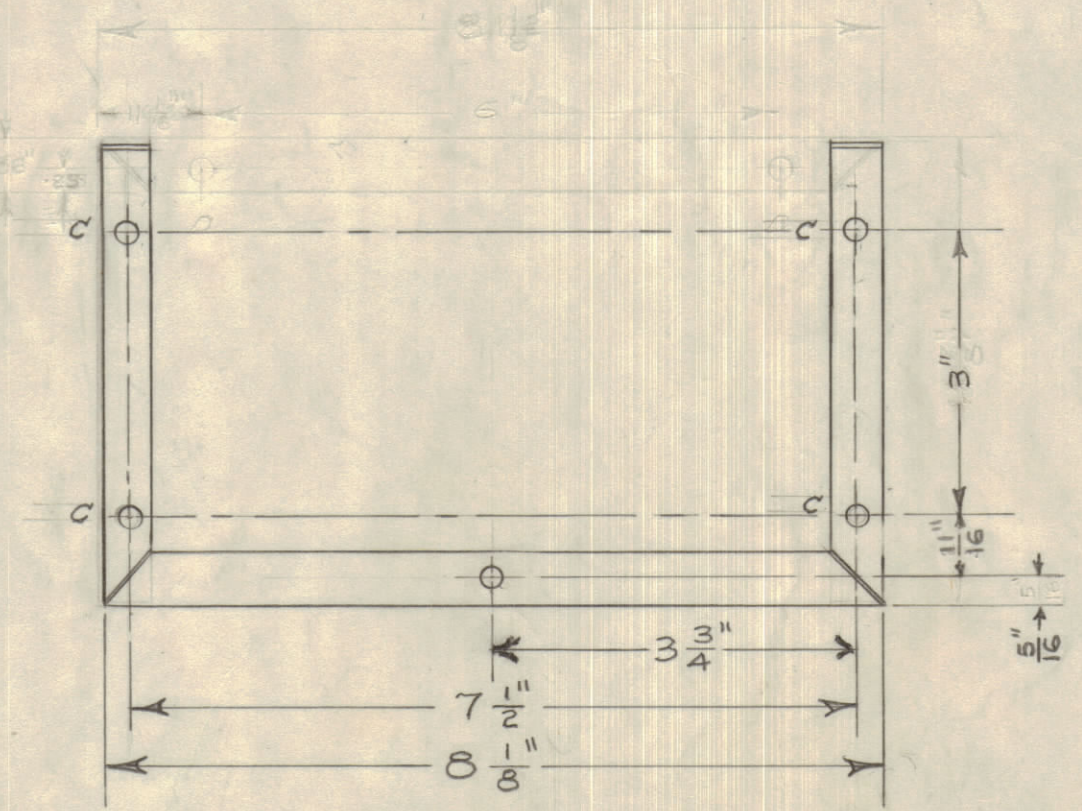
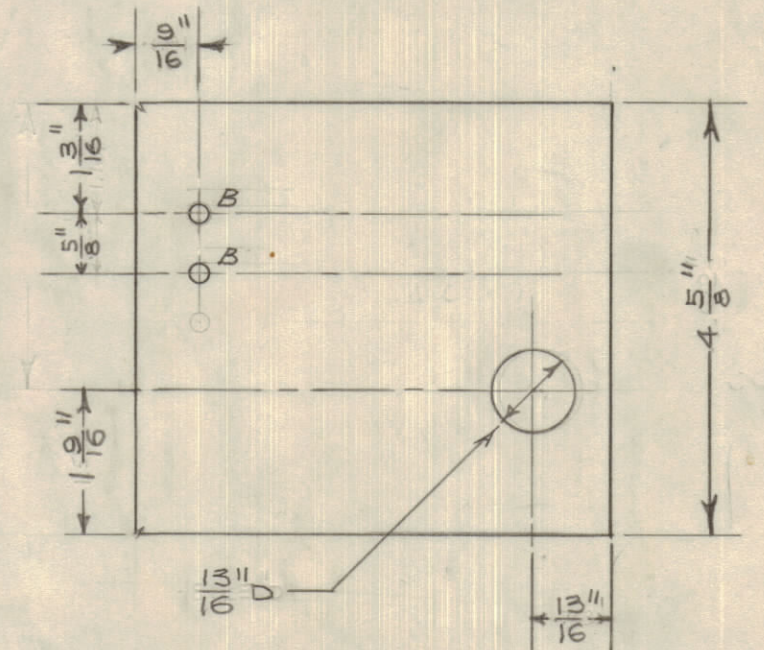
THE TECHNICAL MATERIEL CORPORATION claims proprietary right in the material disclosed hereon. This drawing is issued in confidence for engineering information only and may not be reproduced or used to manufacture anything shown hereon without permission from THE TECHNICAL MATERIEL CORPORATION to the user. This drawing is loaned for mutual assistance and is subject to recall at any time.

Property of:  
THE TECHNICAL MATERIEL CORPORATION  
MAMARONECK, NEW YORK

PM 10012



FRONT OF PANEL.



- NOTE:
- B.  $\frac{1}{4}$ "  $\frac{13}{64}$ " — 14 HOLES
  - C.  $\frac{1}{4}$ "  $\frac{13}{64}$ " — 5 HOLES
  - D.  $\frac{1}{4}$ " — 2 HOLES

NOTES: ALL

DCP-1	10004	A10001	24-10-52
MODEL	PROJECT NO	ASSY NO.	DATE
USED ON.			

SCALE. HALF SIZE.

.051 SHEET		TMC (Canada) LTD. COMMUNICATIONS ENGINEERS OTTAWA - ONTARIO.	
STOCK SIZE		CONTROL BOX	
ALUMINUM	//	POWER CONTROL PANEL	
MATERIAL	WEIGHT PER PG.	MODEL NO.	
ALCAN 57S - 1/2 HARD		E.L. 24.10.52	
ALCOA 52S - H 34		DRAWN	MECH. DES. APP.
TYPE & TEMPER.	//	JER	WAG
HEAT TREAT SPEC.		CHECKED	FINAL APPROVAL
TMC SPEC. S-101 & S-107			PM-10012
FINISH & SPEC NO.			