

IF IT IS FOUND DESIRABLE TO CHANGE ANY TOLERANCE OR OTHER DETAIL SPECIFIED ON THIS DRAWING NOTIFY THE PURCHASER PROMPTLY.

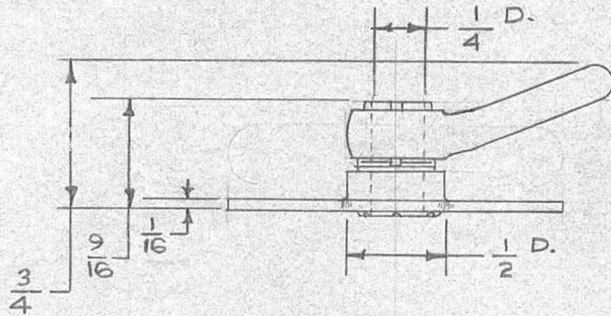
RELEASED

PM-181 A

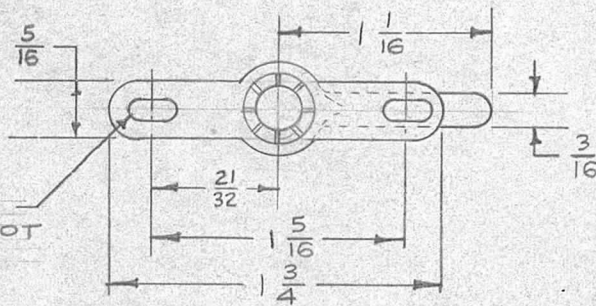
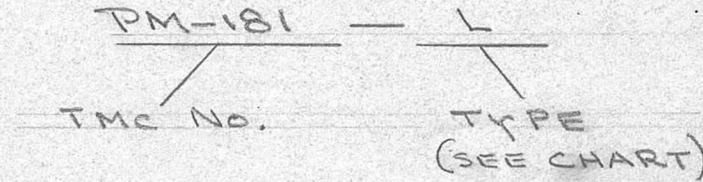
MAXIMUM ALLOWABLE TOLERANCES HAVE BEEN DETERMINED AND DEVIATIONS WILL BE CAUSE FOR REJECTION. REMOVE ALL BURRS AND SHARP EDGES

REQ PER UNIT	USED ON			
	MODEL	PROJECT NO.	ASS'Y. NO.	DATE
	FFRD-5	104	A-228	12-30-52
	FFRD-6	104	A-228	12-30-52
	FFRD-7	104	A-228	12-30-52
	FFRD-8	104	A-228	12-30-52
1	FFRD-1,2,3	E-458		4/16/56
1	FFRD-3M			5-15-56
1	VOX 142			5-19-58
1	RTF			5-23-58

SYM.	DESCRIPTION
L	W/LEVER
NL	NO LEVER



TYPE DESCRIPTION TO BE AS FOLLOWS



1/8 WIDE X 1/4 LONG SLOT 2 REQ'D.

DIM. FOR REF. ONLY

MILLEN CO. CAT. NO. 10063

REQ.	ITEM	PART NO.	DESCRIPTION	SYMBOL
		//	THE TECHNICAL MATERIEL CORP.	
		STOCK SIZE	MAMARONECK, NEW YORK	
		BRASS	SHAFT LOCK	
		MATERIAL	WEIGHT PER PC.	
		//		
		TYPE & TEMPER	15 12-30-52	
		//		
		HEAT TREAT. SPEC.		
		BRIGHT NICKEL PL. S-135		
		FINISH & SPEC. NO.		

ISSUE	ITEM	CHANGED FROM	DATE	CN. NO.	DRAFTS	CHECKER	ENG. APP.
A	1	CHART ADDED	7/27/52	1	JAC	OOD	WJC

TOLERANCES	SCALE
ALL OTHERS DEC. DIM. ± FRAC. DIM. ± ANGULAR DIM. ±	//

DRILL, PUNCH, COMMERCIAL STOCK SIZES AND MANUFACTURERS TOLERANCES ARE NOT INCLUDED.

PM-181 A