

IF IT IS FOUND DESIRABLE TO CHANGE ANY TOLERANCE OR OTHER DETAIL SPECIFIED ON THIS DRAWING NOTIFY THE PURCHASER PROMPTLY.

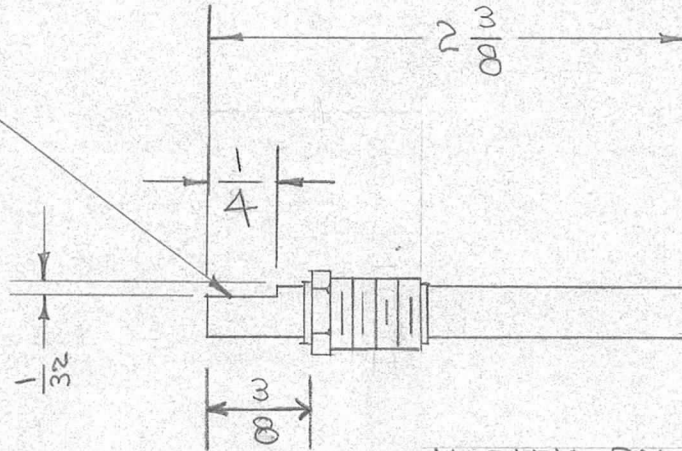
PM-120 A

MAXIMUM ALLOWABLE TOLERANCES HAVE BEEN DETERMINED AND DEVIATIONS WILL BE CAUSE FOR REJECTION. REMOVE ALL BURRS AND SHARP EDGES

USED ON

MODEL	PROJECT NO.	ASS'Y. NO.	DATE
DMK-4	140	A-153	9-20-53

FLAT $\frac{1}{32}$ DEEP X $\frac{3}{8}$



MODIFY PM-234-1 AS SHOWN

REQ.	ITEM	PART NO.	DESCRIPTION	SYMBOL
			THE TECHNICAL MATERIEL CORP. MAMARONECK, NEW YORK	
		STOCK SIZE	PANEL BEARING & SHAFT	
		MATERIAL	(SWITCH)	
		WEIGHT PER PC.	C.D.D. 9-15-52	
		TYPE & TEMPER	DRAWN	ELEC. DES. APP.
			71.7.C.	MECH. DES. APP.
		HEAT TREAT. SPEC.	CHECKED	FINAL APPROVAL
		FINISH & SPEC. NO.		PM-120 A

ISSUE	ITEM	CHANGED FROM	DATE	CN. NO.	DRAFTS	CHECKER	ENG. APP.
A	3	3/8 WAS 1/2	8/24/53	1	C.D.D.		<i>[Signature]</i>
	2	1/4 " 3/8					
	1	2 3/8 " 2 1/2					

TOLERANCES	SCALE	DRILL, PUNCH, COMMERCIAL STOCK SIZES AND MANUFACTURERS TOLERANCES ARE NOT INCLUDED.
ALL OTHERS DEC. DIM. ± FRAC. DIM. ± ANGULAR DIM. ±	1" = 1"	