

IF IT IS FOUND DESIRABLE TO CHANGE ANY TOLERANCE OR OTHER DETAIL SPECIFIED ON THIS DRAWING NOTIFY THE PURCHASER PROMPTLY.

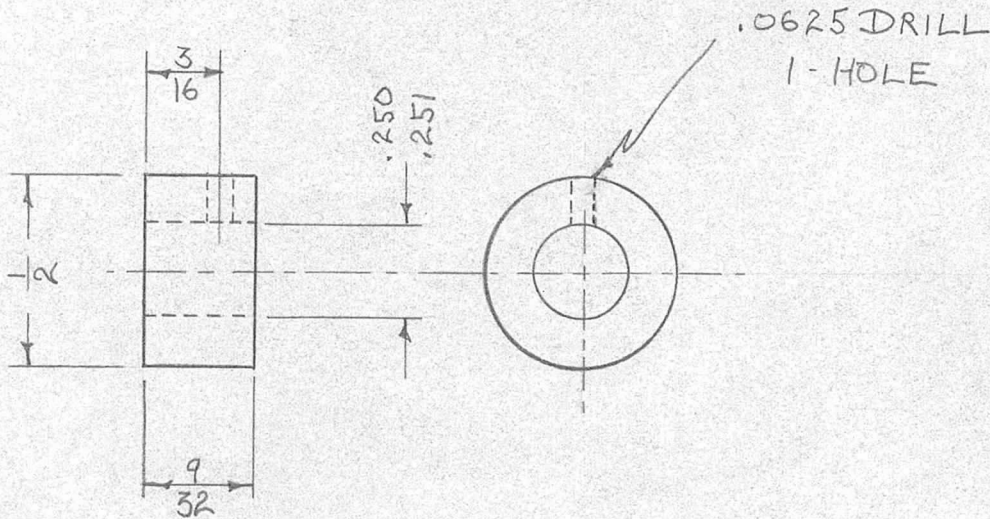
PM-116

A

MAXIMUM ALLOWABLE TOLERANCES HAVE BEEN DETERMINED AND DEVIATIONS WILL BE CAUSE FOR REJECTION. REMOVE ALL BURRS AND SHARP EDGES

USED ON

MODEL	PROJECT NO.	ASS'Y. NO.	DATE
VOX	101	A-421	9-10-52



REQ.	ITEM	PART NO.	DESCRIPTION	SYMBOL
		1/2"	THE TECHNICAL MATERIEL CORP. MAMARONECK, NEW YORK	
		STOCK SIZE		
		BRASS	BUSHING	
		MATERIAL		
		—	WEIGHT PER PC.	
		—		
		TYPE & TEMPER	WDC 9/10/52	
		—	DRAWN	ELEC. DES. APP. MECH. DES. APP.
		HEAT TREAT. SPEC.	JAD 9-10-52	
		S-105	CHECKED	FINAL APPROVAL
		FINISH & SPEC. NO.	SUPERSEDES AMS 276	PM-116

A	1	WAS DWG. PM-115	9/19/52	WDC			
ISSUE	ITEM	CHANGED FROM	DATE	CN. NO.	DRAFTS	CHECKER	ENG. APP.
TOLERANCES			SCALE TWICE				
ALL OTHERS	DEC. DIM. ± FRAC. DIM. ± Y64 ANGULAR DIM. ±		DRILL, PUNCH, COMMERCIAL STOCK SIZES AND MANUFACTURERS TOLERANCES ARE NOT INCLUDED.				