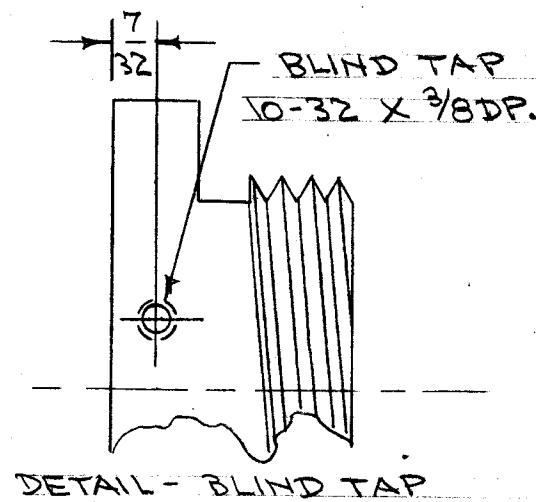
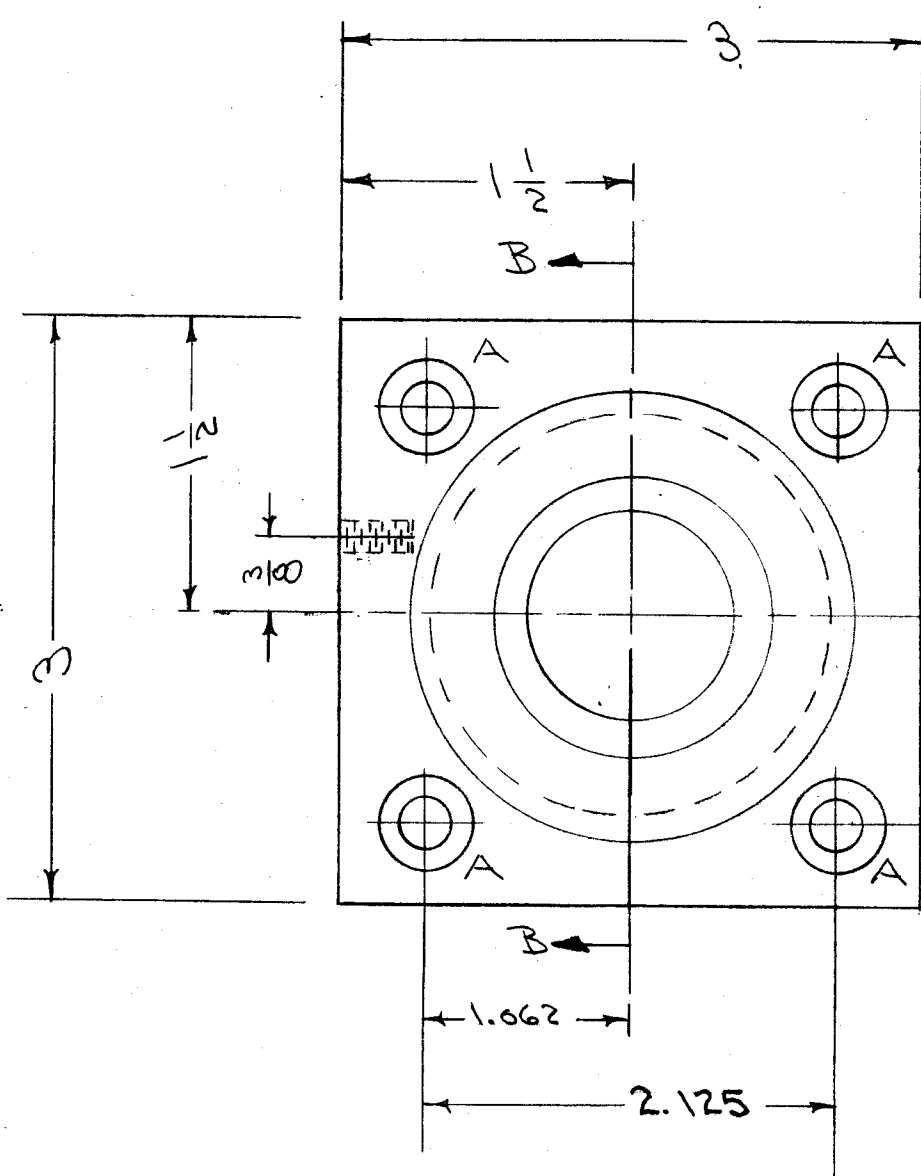
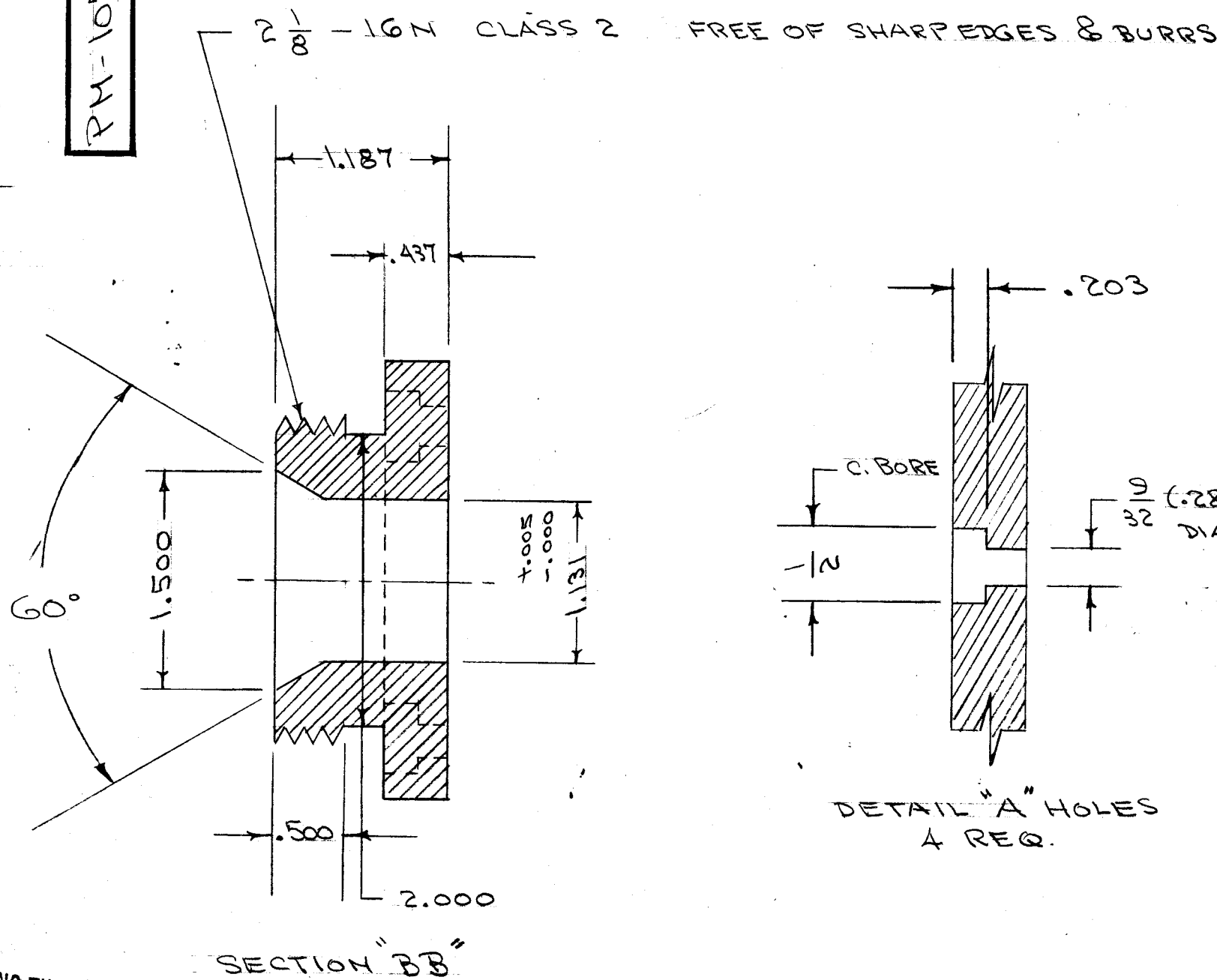


IF IT IS FOUND DESIRABLE TO CHANGE ANY TOLERANCE OR OTHER DETAIL SPECIFIED ON THIS DRAWING NOTIFY THE PURCHASER PROMPTLY.

MAXIMUM ALLOWABLE TOLERANCES HAVE BEEN DETERMINED AND DEVIATIONS WILL BE CAUSE FOR REJECTION. REMOVE ALL BURRS AND SHARP EDGES



PM-107 F



**NOTICE TO PERSONS RECEIVING THIS DRAWING**

THE TECHNICAL MATERIEL CORPORATION claims proprietary right in the material disclosed hereon. This drawing is issued in confidence for engineering information only and may not be reproduced or used to manufacture anything shown hereon without permission from THE TECHNICAL MATERIEL CORPORATION to the user. This drawing is loaned for mutual assistance and is subject to recall at any time.

Property of:  
 THE TECHNICAL MATERIEL CORPORATION  
 MAMARONECK, NEW YORK

REF: AX-274

F	1	S-404 WAS S-101	7/15/59	1001	AB	EMN	
F	1	BLIND TAP ADDED	7/23/59	G	WJC	WJC	
+	+	REDRAWN	8/29/55	—	WJC	WJC	
ISSUE	ITEM	CHANGED FROM	DATE	DN. NO.	DRAFTS	CHECKER	ENG. APP.
TOLERANCES			SCALE:				
ALL OTHERS	DEC. DIM. ± FRAC. DIM. ± ANGULAR DIM. ±	DRILL, PUNCH, COMMERCIAL STOCK SIZES AND MANUFACTURERS TOLERANCES ARE NOT INCLUDED.					

REQ. PER UNIT	MODEL	PROJECT NO.	ASS'Y. NO.	DATE
USED ON				

REQ.	ITEM	PART NO.	DESCRIPTION	SYMBOL
—	H	—	THE TECHNICAL MATERIEL CORP. MAMARONECK, NEW YORK	
STOCK SIZE			ALUMINUM	#
MATERIAL			2AS TA	
WEIGHT PER PC.			—	
TYPE & TEMPER			—	
HEAT TREAT. SPEC.			S-404 YELLOW IRIDITE	
FINISH & SPEC. NO.			—	
DRAWN		ELEC. DES. APP.		MECH. DES. APP.
CHECKED		FINAL APPROVAL		
PM-107				