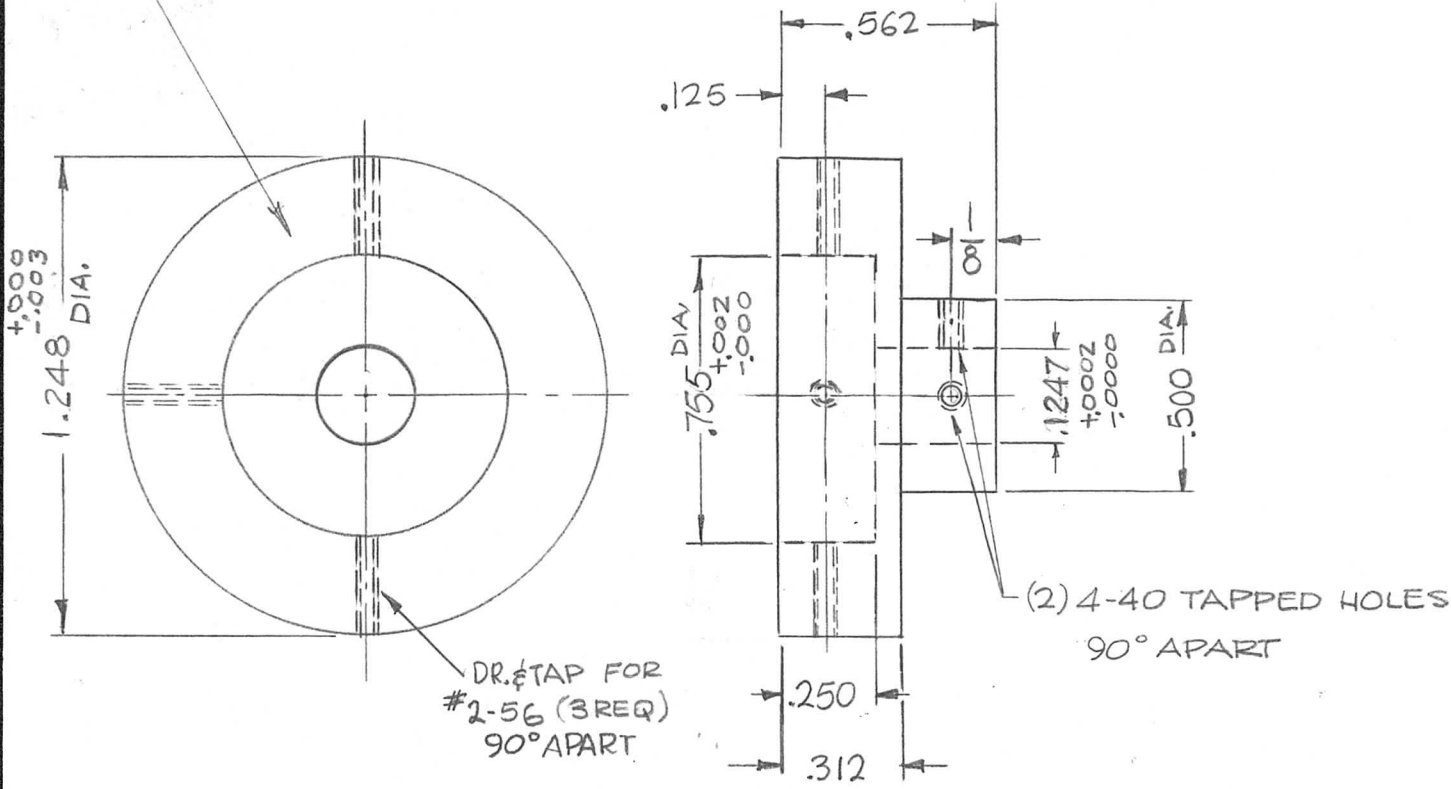


REQ. PER UNIT	USED ON			PM 1099	A
	MODEL	ASS'Y. NO.	DATE		
1	VLRB-1		8/28/64		

METAL STAMP TMC PART NO. 1/8 HIGH GOTHIC WITH LATEST REV. LETTER



REMOVE BURRS & SHARP EDGES

A	.755 DIM. WAS .750	2-19-69	19297	GE	JDE	OP	REQ. ITEM	PART NO.	KRUY	DESCRIPTION	POSE	SYMBOL	
Ø	ORIGINAL RELEASE FOR PRODUCTION	9/1/65	Ø	J.V.V.			STOCK SIZE			THE TECHNICAL MATERIEL CORP. MAMARONECK. NEW YORK			
XI	DIM. 1.248 WAS 1.250 DIA.	12-2-64		G.D.L			ALUMINUM			BUSHING, DRUM MTG			
X	EXPERIMENTAL REL.	8/28/64		WB			MATERIAL						
SYM	DESCRIPTION	DATE	CH. NO.	DRAFTS	CHECKER	ENG. APP.	5052-H32			WB	JDE	JDE	FINAL APPROVAL
UNLESS OTHERWISE SPECIFIED DIMENSIONS ARE IN INCHES AND INCLUDE CHEMICALLY APPLIED OR PLATED FINISHES		SCALE		2:1			TYPE & TEMPER			S404 YELLOW IRIDITE			
DECIMALS .X ± .05 .XX ± .01 .XXX ± .005		FRACTIONS ± 1/64 ANGLES ± 0° 30'		TOLERANCES		CODE	FINISH & SPEC. NO.			ELEC. DES. APP.		MECH. DES. APP.	
				A							PM 1099		
											A		