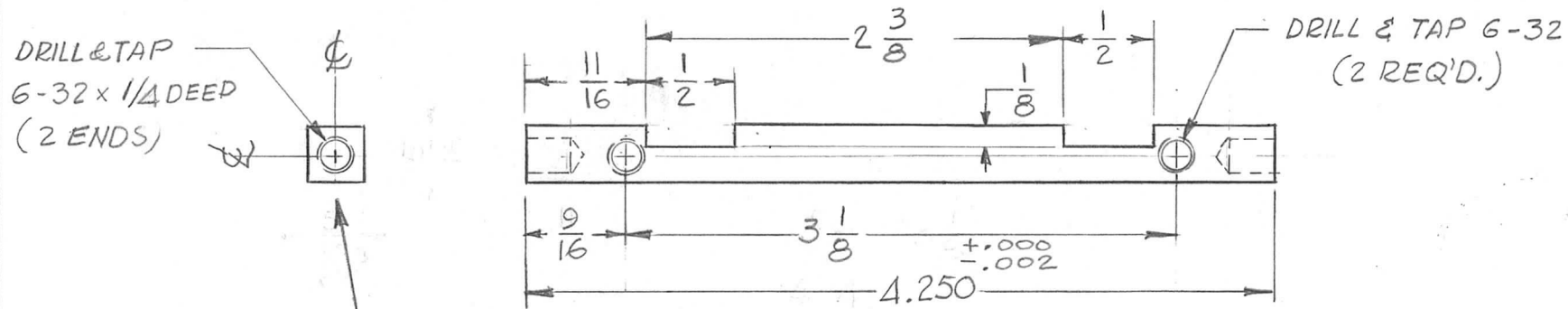


TMC PART NO	DESCRIPTION	Q'TY. / UNIT		REQ. PER UNIT	USED ON		
		HFR-2	SBG-3		MODEL	ASS'Y. NO.	DATE
PM1081-1	NOTCHES AS SHOWN	1	1		HFR-2		6-30-64
PM1081-2	NOTCHES ROTATED 90°	1	1		SBG-3		6-30-64

PM1081- Φ



NOTE:
REMOVE ALL BURRS & SHARP EDGES.

SYM	DESCRIPTION	DATE	CH. NO.	DRAFTS	CHECKER	ENG. APP.	REQ. ITEM	PART NO.	J. ANGER	DESCRIPTION	SYMBOL
Φ	ORIGINAL RELEASE FOR PRODUCTION	8-13-64	Φ				5/16 X 5/16 BAR			THE TECHNICAL MATERIEL CORP. MAMARONECK, NEW YORK	Φ
X	EXP. RELEASE	6-30-64	#	G.D.L.			ALUMINUM				
	UNLESS OTHERWISE SPECIFIED DIMENSIONS ARE IN INCHES AND INCLUDE CHEMICALLY APPLIED OR PLATED FINISHES	SCALE	1:1				2024-T4		G.D.L.	@	RWL
	DECIMALS .X \pm .05 .XX \pm .01 .XXX \pm .005	FRACTIONS \pm 1/64 ANGLES \pm 0° 30'	CODE A				S404 YEL IRIDITE		J. Anger		PM1081- Φ
	TOLERANCES						FINISH & SPEC. NO.		ELEC. DES. APP.	MECH. DES. APP.	