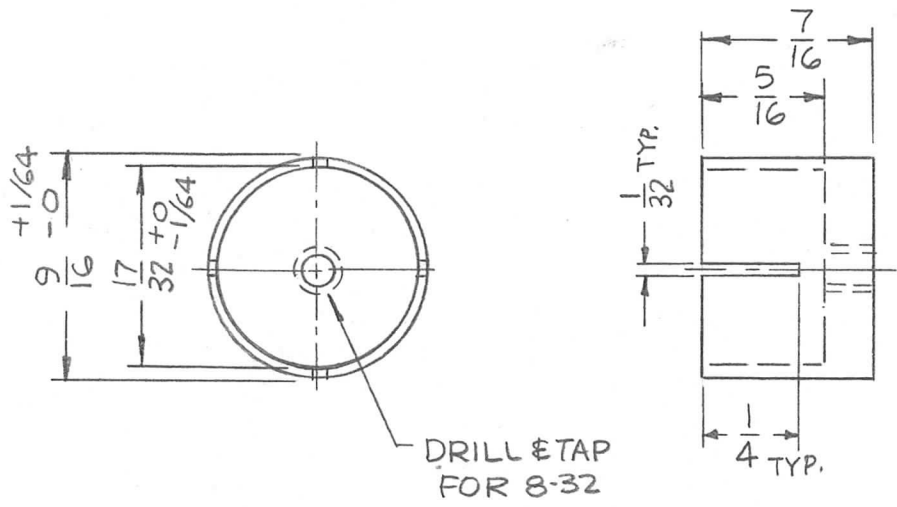


REQ. PER UNIT	USED ON			PM1066	Ø
	MODEL	ASS'Y. NO.	DATE		
1	TAA-2.5K	AS498	11-1-66		



REQ.	ITEM	PART NO.	F. BUDETTI DESCRIPTION				SYMBOL
		AS SHOWN	THE TECHNICAL MATERIEL CORP.				
		STOCK SIZE	MAMARONECK. NEW YORK				
Ø		ALUMINUM	HOLDER, RESISTOR				
		MATERIAL					
		2024-T4	APY	QC/S	OOB		
		TYPE & TEMPER	HEAT TREAT. SPEC.	DRAWN	CHECKED	FINAL APPROVAL	
		S245 SILVER PL. S423 SILVER KOTE		AA	PC	PM1066 Ø	
		FINISH & SPEC. NO.	ELEC. DES. APP.	MECH. DES. APP.			

SYM	DESCRIPTION	DATE	CH. NO.	DRAFTS	CHECKER	ENG. APP.
	ORIGINAL RELEASE FOR PRODUCTION	11/16/66	Ø	CV		
X	EXP. RELEASE	11-2-66				
UNLESS OTHERWISE SPECIFIED DIMENSIONS ARE IN INCHES AND INCLUDE CHEMICALLY APPLIED OR PLATED FINISHES		SCALE 2:1				
DECIMALS .X ± .05 .XX ± .01 .XXX ± .005	TOLERANCES	FRACTIONS ± 1/64 ANGLES ± 0° 30'	CODE A			