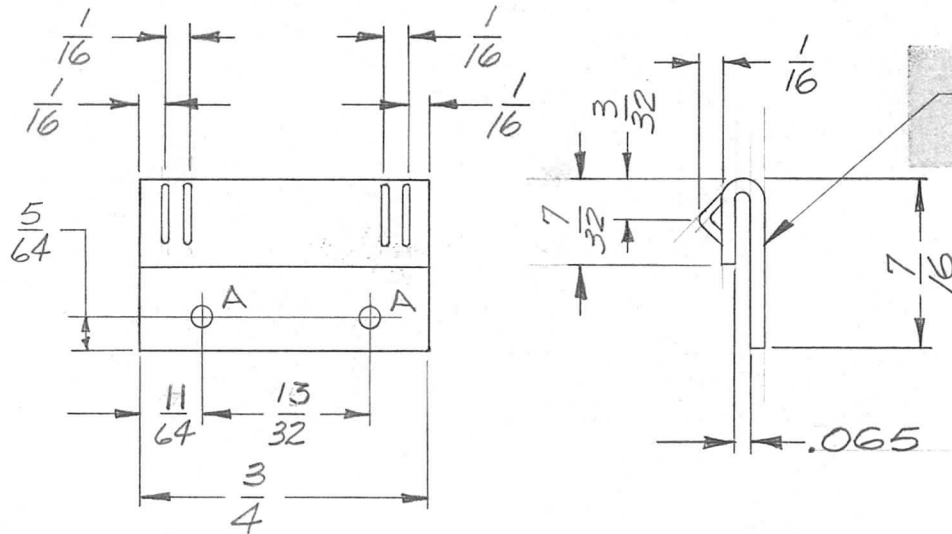


REQ. PER UNIT	USED ON		
	MODEL	ASS'Y. NO.	DATE
1	HFR-2	A3624	4-8-64
1	HFRR-2	A3625	9-11-64

PM-1052 A



INK STAMP TMC PART NO. HIGH GOTHIC ON REAR WITH LATEST REV. LETTER

HOLE LEGEND		
HOLE	DESCRIPTION	REQD
A	.090 DIA	2

NOTE: REMOVE ALL BURRS & SHARP EDGES

A	INK STAMP WAS METAL	11-7-66	17217	WHO	<i>[Signature]</i>	<i>[Signature]</i>
Ø	ORIGINAL RELEASE FOR PRODUCTION	9-11-64	Ø	4 L		
X <sub>1</sub>	HOLE A WAS .062 DIA. 11 WAS 9/64 13 WAS 13/32 15 WAS 15/32	9/10/64		8 L		
X	EXP. RELEASE	4-8-64	→	<i>[Signature]</i>		
SYM	DESCRIPTION	DATE	CH. NO.	DRAFTS	CHECKER	ENG. APP.
UNLESS OTHERWISE SPECIFIED DIMENSIONS ARE IN INCHES AND INCLUDE CHEMICALLY APPLIED OR PLATED FINISHES		SCALE NONE				
DECIMALS .X ± .05 .XX ± .01 .XXX ± .005	TOLERANCES	FRACTIONS ± 1/64 ANGLES ± 0° 30'	CODE A			

REQ. ITEM	PART NO.	DESCRIPTION	SYMBOL
		T. KRUY	
	.031 THK	THE TECHNICAL MATERIEL CORP. MAMARONECK. NEW YORK	
	STAINLESS STEEL	SLIDER (DIAL (SLIDE ASSY))	
#303	—	<i>[Signature]</i> @	<i>[Signature]</i>
S104 PASSIVATE		T. Kruey	PM-1052 A
FINISH & SPEC. NO.	ELEC. DES. APP.	MECH. DES. APP.	