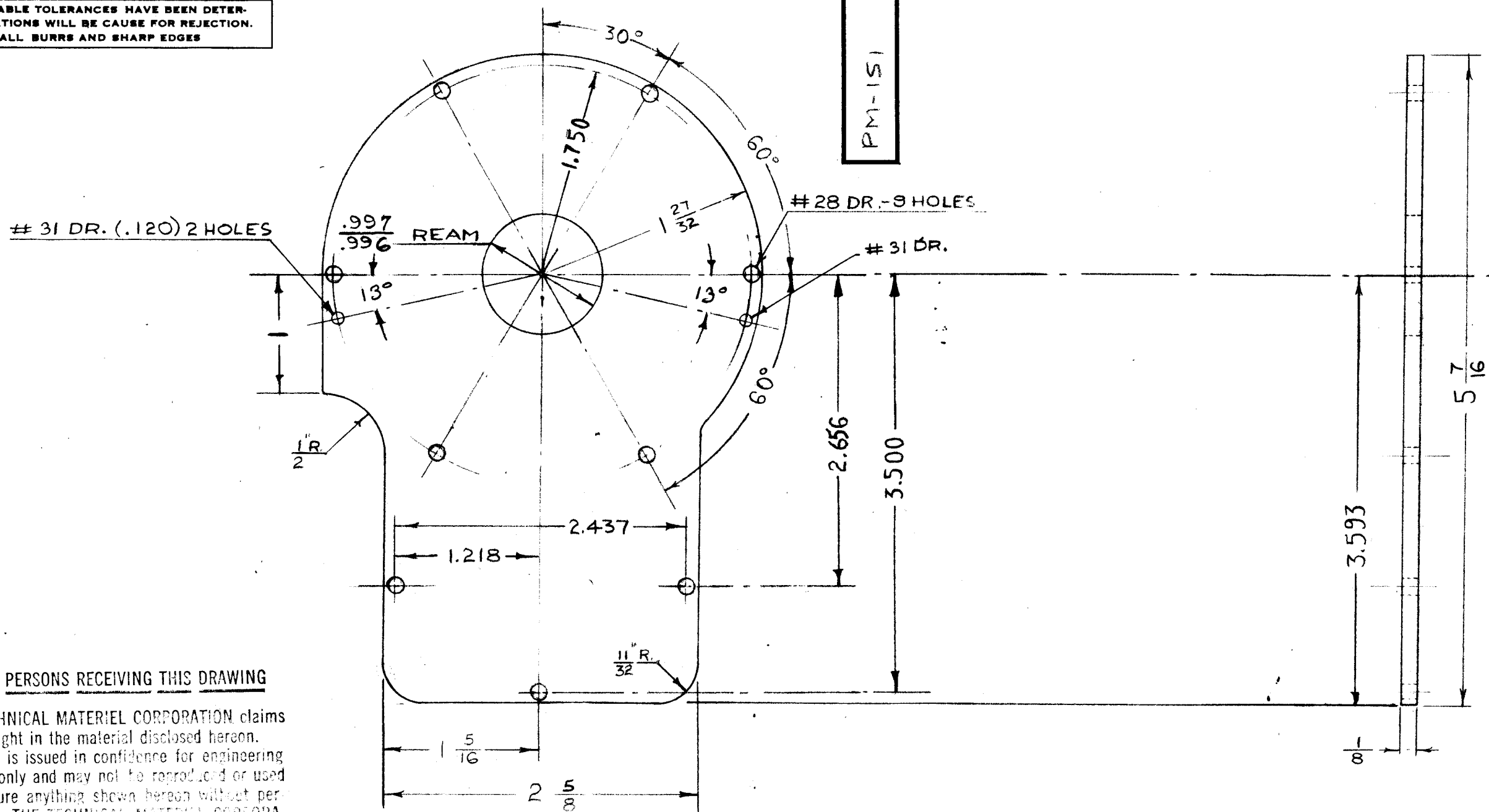


IF IT IS FOUND DESIRABLE TO CHANGE ANY TOLERANCE OR OTHER DETAIL SPECIFIED ON THIS DRAWING NOTIFY THE PURCHASER PROMPTLY.

MAXIMUM ALLOWABLE TOLERANCES HAVE BEEN DETERMINED AND DEVIATIONS WILL BE CAUSE FOR REJECTION. REMOVE ALL BURRS AND SHARP EDGES

RELEASED

PM-151
A



NOTICE TO PERSONS RECEIVING THIS DRAWING

THE TECHNICAL MATERIEL CORPORATION claims proprietary right in the material disclosed hereon. This drawing is issued in confidence for engineering information only and may not be reproduced or used to manufacture anything shown hereon without permission from THE TECHNICAL MATERIEL CORPORATION to the user. This drawing is loaned for mutual assistance and is subject to recall at any time.

Property of:

THE TECHNICAL MATERIEL CORPORATION
MAMARONECK, NEW YORK

REQ.	ITEM	PART NO.	DESCRIPTION	SYMBOL
		1/8 THK.	THE TECHNICAL MATERIEL CORP.	
		STOCK SIZE	MAMARONECK. NEW YORK	
	ALUMINUM	<i>ff</i>	COVER	
	MATERIAL	WEIGHT PER PC.		
		525 - H32		
		TYPE & TEMPER	<i>R. Gaby</i>	<i>PM</i>
			DRAWN	ELEC. DES. APP.
			HEAT TREAT. SPEC.	MECH. DES. APP.
			HECKED	FINAL APPROVAL
		S-404 YELLOW IRIDITE		
		FINISH & SPEC. NO.	PM-151	A

ISSUE	ITEM	CHANGED FROM	DATE	CN. NO.	DRAFTS	CHECKER	ENG. APP.
A	1	S-404 WAS S-101	7/10/52	1001	AB		EMN
TOLERANCES							
DEC. DIM. ± .005				SCALE: FULL SIZE			
FRAC. DIM. ± 1/64				DRILL, PUNCH, COMMERCIAL STOCK			
ANGULAR DIM. ± 10				SIZES AND MANUFACTURERS			
				TOLERANCES ARE NOT INCLUDED.			

TWR-115	151	A-219	9-11-52
MODEL	PROJECT NO.	ASS'Y. NO.	DATE
USED ON			