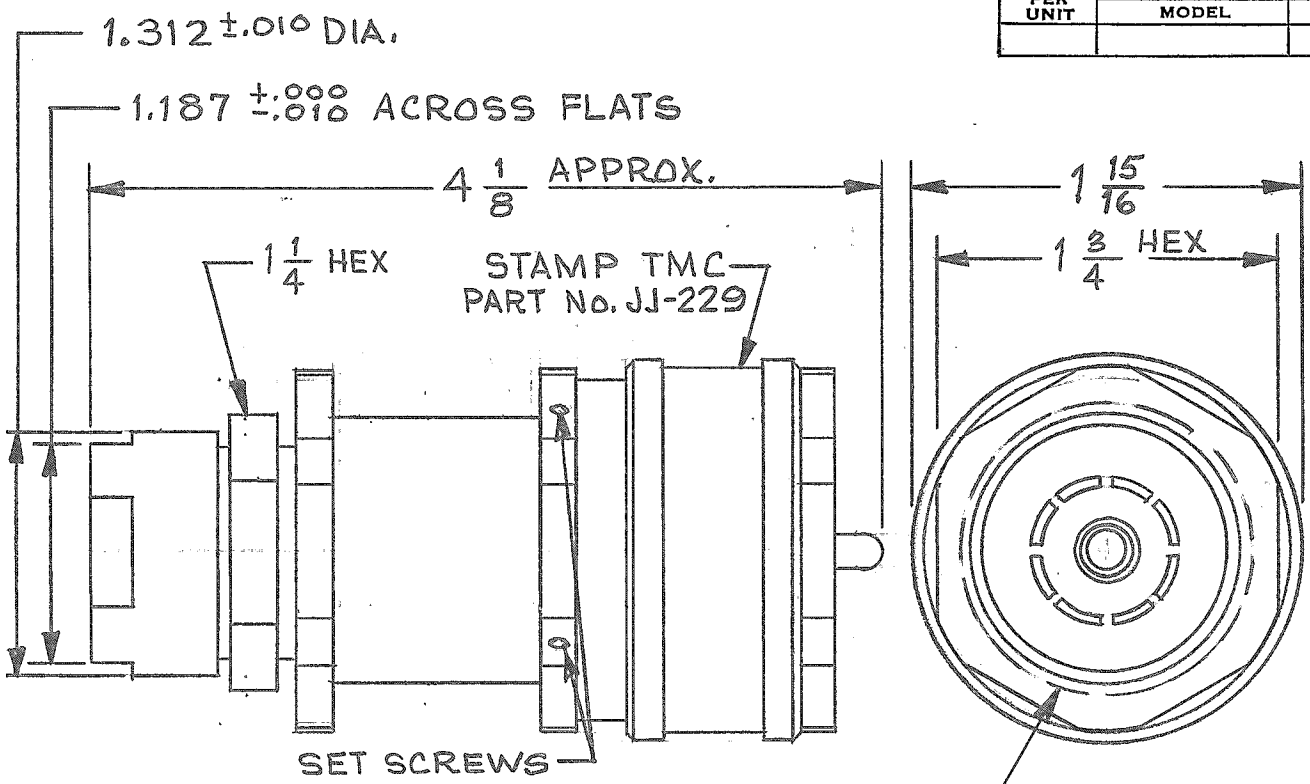


REQ. PER UNIT	USED ON			PL-229
	MODEL	ASS'Y. NO.	DATE	



**SPECIFICATIONS:**  
 Series - QDL  
 No. of Contacts - ONE (1)  
 Type of Contacts - MALE (SEMI-CAPTIVE)  
 Dielectric - TEFLON

**ELECTRICAL DATA:**  
 Max. Peak Opr. Volt -  
 Freq. Limit - 1000 MCS  
 Nominal Impedance - 50 OHMS

**CABLE ACCOMMODATIONS:**  
 Type - RG-17, 18, 164, 217, 218, 219/U

**MATING ACCOMMODATIONS:**  
 Type - QDL

**MATERIAL:**  
 External Parts - BRASS  
 Contact - BERYLLIUM COPPER  
 Gasket - SILICONE RUBBER

**FINISH:**  
 External Parts - RHODIUM  
 Contact - GOLD FLASH

**NOTES:**  
 1- CENTER CONDUCTOR SEMI-CAPTIVATED,  
 2- SAFETY LOCK; TMC PART NBR-CU-137.  
 3- REPLACEMENT FOR PL-136.  
 4- TOOLS REQUIRED FOR INSTALLATION TO CABLE:  
 THOMAS & BETTS  
 #21 DISC ON POWER TOOL T2B-13642  
 #21 DISC ON HAND TOOL WT-117  
 HAND TOOL TBM-2

1	3	ID-291	INSTALLATION INSTRUCTION
1	2	TP-120	DIELECTRIC DRESSING TOOL
1	1	WR-100-1	WRENCH, HEX

SYM	DESCRIPTION	DATE	CH. NO.	DRAFTS	CHECKER	ENG. APP.	REQ. ITEM	PART NO.	MARTINENGO DESCRIPTION	SYMBOL	
UNLESS OTHERWISE SPECIFIED DIMENSIONS ARE IN INCHES AND INCLUDE CHEMICALLY APPLIED OR PLATED FINISHES							THE TECHNICAL MATERIEL CORP. MAMARONECK, NEW YORK				
SCALE							STOCK SIZE				
MATERIAL							PLUG CONNECTOR				
TYPE & TEMPER							QDL (M) TO CABLE				
HEAT TREAT. SPEC.							M TANTILLO 10-5-63				
DRAWN							Jde 10/13				
CHECKED							BP				
FINAL APPROVAL							PL-229				
FINISH & SPEC. NO.							ELEC. DES. APP. MECH. DES. APP.				
DECIMALS X ± .05 TOLERANCES .XX ± .01 .XXX ± .005							FRACTIONS ± 1/64 ANGLES ± 0° 30'				
CODE							S401-70-2947				