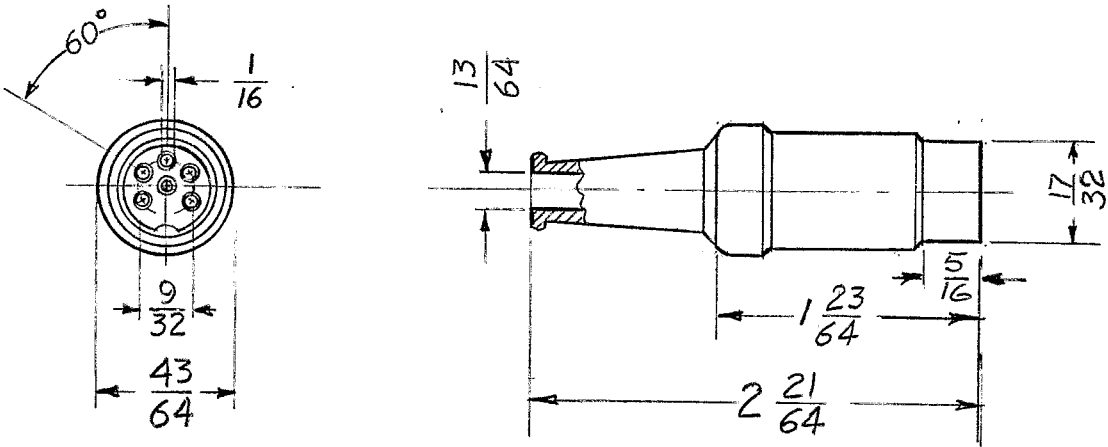


REQ. PER. UNIT	USED ON			PL-208
	MODEL	ASS'Y. NO.	DATE	
1	GPE-1		6-30-61	



REF. ~ HIRSCHMAN # MAS-6

								REQ. ITEM	PART NO.	DESCRIPTION	SYMBOL				
										THE TECHNICAL MATERIEL CORP.					
								STOCK SIZE		MAMARONECK, NEW YORK					
								STEEL		PLUG, CONNECTOR					
								MATERIAL							
ISSUE	ITEM	CHANGED FROM	DATE	CH. NO.	DRAFTS	CHECKER	ENG. APP.								
TOLERANCES			SCALE:												
DEC. DIM. ±			MAXIMUM ALLOWABLE TOLERANCES HAVE BEEN DETERMINED AND ANY DEVIATIONS WILL BE CAUSE FOR REJECTION. REMOVE ALL BURRS AND SHARP EDGES					TYPE & TEMPER		DRAWN		CHECKED			
FRAC. DIM. ±								NICKEL PLATE						FINAL APPROVAL	
ANGULAR DIM. ±								FINISH & SPEC. NO.		ELEC. DES. APP		MECH. DES. APP		PL-208	