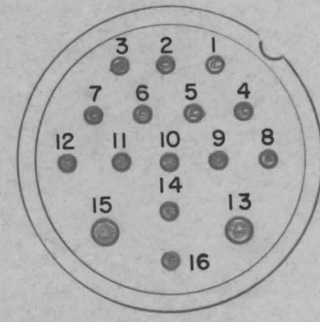
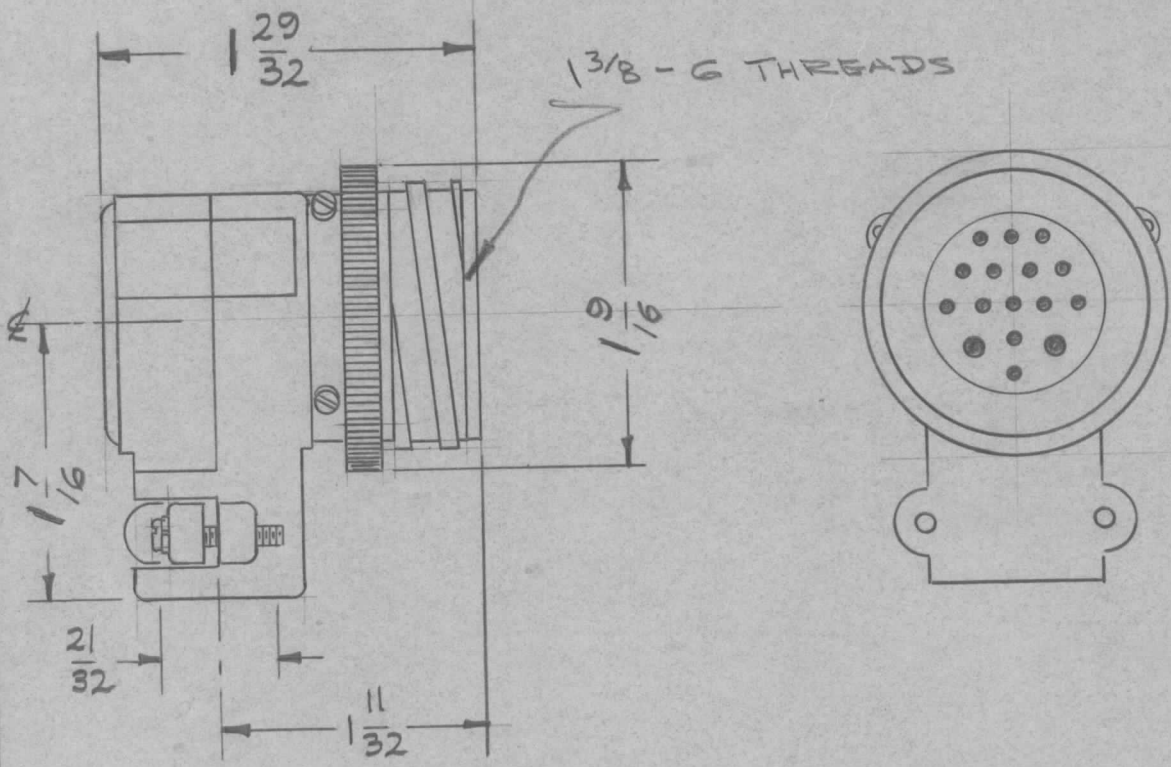


REQ. PER UNIT	USED ON			PL-187	A
	MODEL	ASS'Y. NO.	DATE		
3	RAK 11		4-15-60		



INSERT ARRANGEMENT

SHELL - ALUMINUM ALLOY, CADMIUM PL
 TEST VOLT - 1300VRMS 60CPS
 CONTACTS - 14 - #16 WIRE, 1-12 INCL. 14 & 16
 2 - #10 WIRES 13 + 15
 CONTACT CURRENT RATING #10 - 30AMP
 #16 - 10AMP
 CONTACTS - BRASS, SILVER PLATED

REF: JJ-184

REQ.	ITEM	PART NO.	DESCRIPTION				SYMBOL
			THE TECHNICAL MATERIEL CORP.				
			MAMARONECK, NEW YORK				
			CONNECTOR, MALE				
			16 CONTACTS				
			MATERIAL				
			DRAWN				
			CHECKED				
			FINAL APPROVAL				
			ELEC. DES. APP. MECH. DES. APP.				
			PL-187				
			A				

ISSUE	ITEM	CHANGED FROM	DATE	CH. NO.	DRAFTS	CHECKER	ENG. APP.
A	1	MFG. PART NO. WAS RSK-C16-24C-5/B	11-4-60	3400	2/F		

TOLERANCES	SCALE: S-401-91 (RSK-C16-24C-3/4)
DEC. DIM. ± FRAC. DIM. ± ANGULAR DIM. ±	MAXIMUM ALLOWABLE TOLERANCES HAVE BEEN DETERMINED AND ANY DEVIATIONS WILL BE CAUSE FOR REJECTION. REMOVE ALL BURRS AND SHARP EDGES