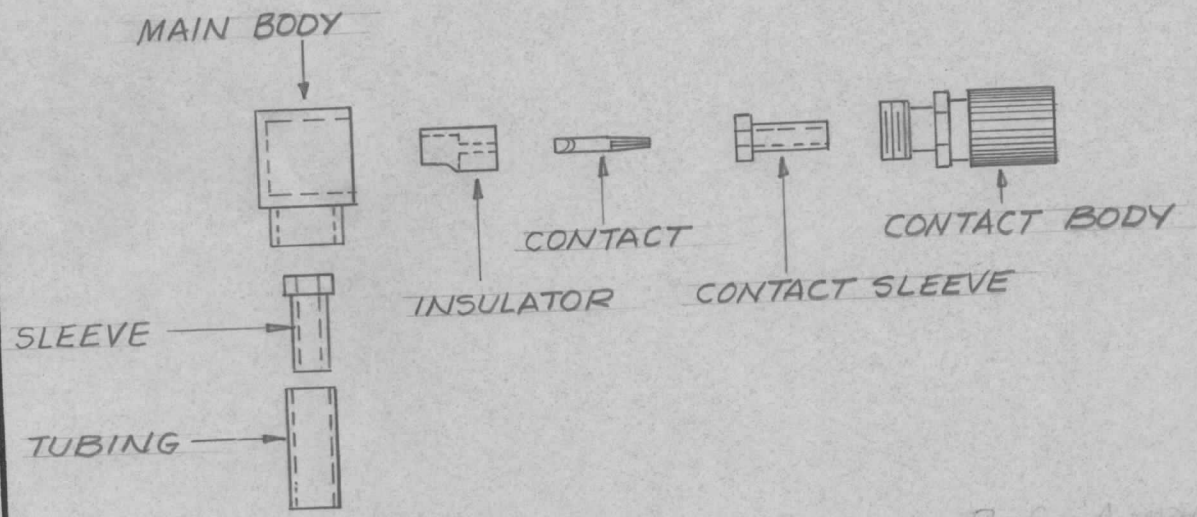
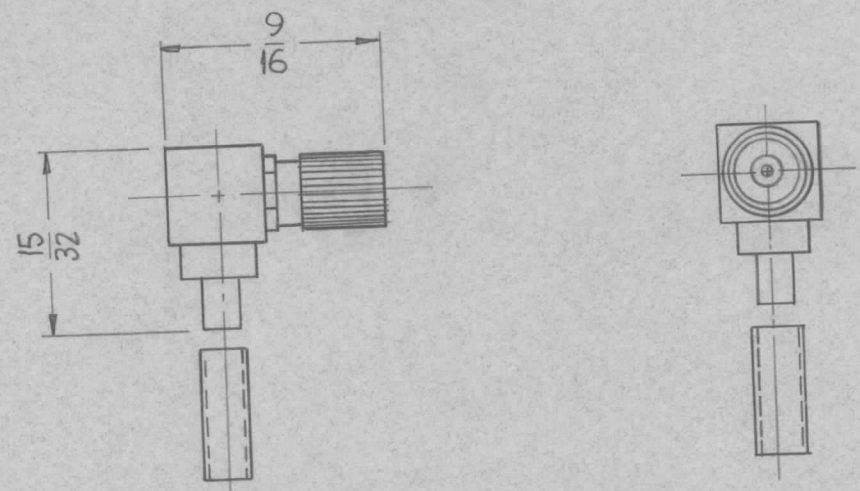


REQ. PER UNIT	USED ON		PL-158
	MODEL	ASS'Y. NO.	
			6-28-61



See 5-343 for Connector Ass'y to Cable

Ref. - Appendix #27-26 50Ω

REQ. ITEM							PART NO.		DESCRIPTION	SYMBOL				
									THE TECHNICAL MATERIEL CORP. MAMARONECK, NEW YORK					
									CONNECTOR, PLUG, FEMALE ANGLE (50Ω)					
ISSUE	ITEM	CHANGED FROM	DATE	CH. NO.	DRAFTS	CHECKER	ENG. APP.							
TOLERANCES			SCALE: S-401-71 (27-26)											
DEC. DIM. ±			MAXIMUM ALLOWABLE TOLERANCES HAVE BEEN DETERMINED AND ANY DEVIATIONS WILL BE CAUSE FOR REJECTION. REMOVE ALL BURRS AND SHARP EDGES											
FRAC. DIM. ±														
ANGULAR DIM. ±														
							TYPE & TEMPER	HEAT TREAT. SPEC.	DRAWN	CHECKED	FINAL APPROVAL			
							FINISH & SPEC. NO.				PL-158			
									ELEC. DES. APP	MECH. DES. APP				