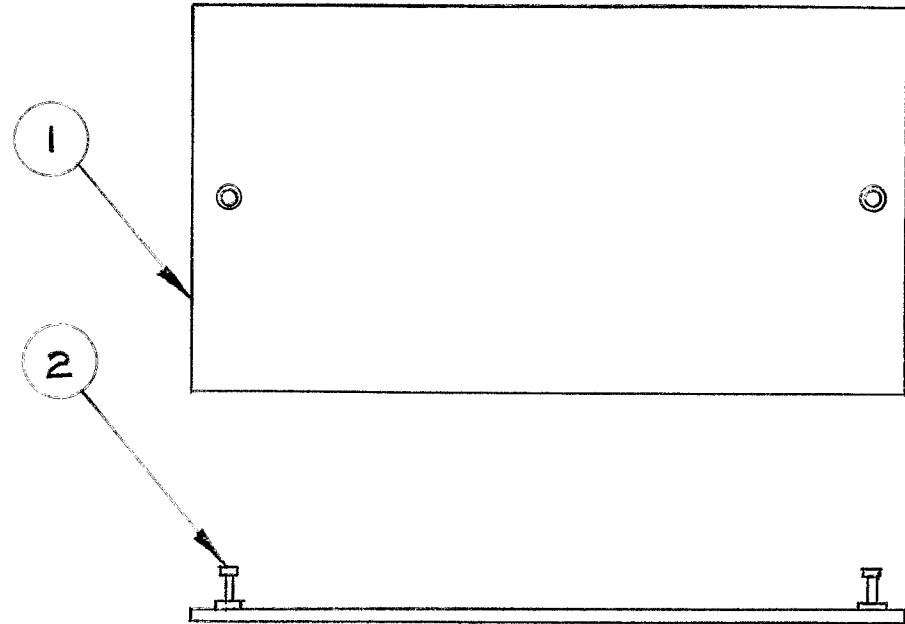


ISSUE	ITEM	CHANGED FROM	DATE	CN. NO.	DRAFTS	CHECKER	ENG. APP.	REQ.	ITEM	PART NO.	DESCRIPTION	SYMBOL
Ø		REL TO PROD	APRIL 1/68		AP	W	W	1	1	PC10018-3	PC. BD, LOWPASS FILTER	
								2	2	TE127-2	STUD, TERMINAL	"B"



AMC 21		070/68		FX10022		MAR 20/68				TMC (Canada) LIMITED OTTAWA ONTARIO					
MODEL	PROJECT NO.	ASSY. NO.	DATE	STOCK SIZE									PC. BD. LOWPASS FILTER		
USED ON				MATERIAL		WEIGHT PER PC.				RPL					
MAXIMUM ALLOWABLE TOLERANCES HAVE BEEN DETERMINED AND DEVIATIONS WILL BE CAUSE FOR REJECTION. REMOVE ALL BURNS AND SHARP EDGES				IF IT IS FOUND DESIRABLE TO CHANGE ANY TOLERANCE OR OTHER DETAIL SPECIFIED ON THIS DRAWING NOTIFY THE PURCHASER PROMPTLY.				TYPE & TEMPER				DRAWN		ELEC. DES. APP.	MECH. DES. APP.
								HEAT TREAT. SPEC.				CHECKED		FINAL APPROVAL	
TOLERANCES				SCALE				FINISH & SPEC. NO.		SHEET 4 OF 4 PC10018-4 Ø					
ALL OTHERS	DEC. DIM. ±			DIMENSIONS IN INCHES UNLESS OTHERWISE SPECIFIED											
	FRAC. DIM. ±			DRILL, PUNCH, COMMERCIAL STOCK SIZES AND MANUFACTURERS TOLERANCES ARE NOT INCLUDED.											
	ANGULAR DIM. ±														