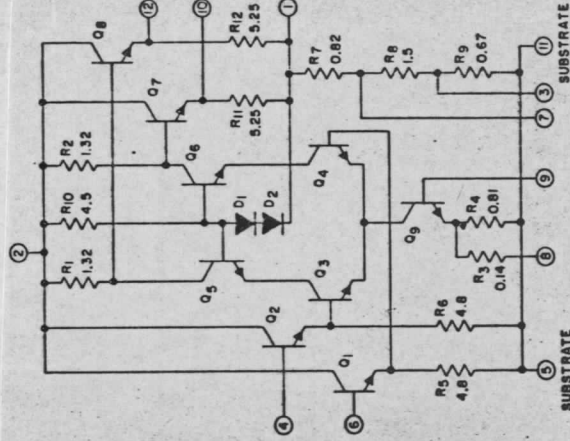


## APPLICATION

## REVISIONS

QTY	MODEL USED ON	ASSY NO.	LTR	DESCRIPTION	DATE	E.M.N.NO	DRAFT	CHKD	APPD
	RSU-1			ORIGINAL RELEASE	5-24-73		CS.		



S40I 327

MFR. P/N - CA 3040

UNLESS OTHERWISE SPECIFIED DIMENSIONS ARE IN INCHES AND INCLUDE CHEMICALLY APPLIED OR PLATED FINISHES	REQ'D ITEM	PART NUMBER	DESCRIPTION	SYM.
DECIMALS .X ± .05 .XX ± .01 .XXX ± .005 FRACTIONS 1/64 ANGLES 0° - 30°			LIST OF MATERIAL	
MATERIAL	S. DEMARCO FINAL APPROVAL MECH. DES. ELECT. DES. CHECKED DRAWN GE			
FINISH	DATE 5/14/73 DATE DATE DATE DATE 5/14/73			
	THE TECHNICAL MATERIEL CORP. MAMARONECK, NEW YORK			
	NETWORK INTEGRATED CIRCUIT, WIDEBAND AMPLIFIER			
	SIZE	CODE IDENT. NO.	DWG NO.	ISSUE
A	82679	NW 195		0
	SCALE	SHEET	OF	

NOTICE TO PERSONS RECEIVING THIS DRAWING  
 THE TECHNICAL MATERIEL CORPORATION claims proprietary right in the material disclosed hereon. This drawing is issued in confidence for engineering information only and may not be reproduced or used to manufacture anything shown hereon without permission from THE TECHNICAL MATERIEL CORPORATION to the user. This drawing is loaned for mutual assistance and is subject to recall at any time.