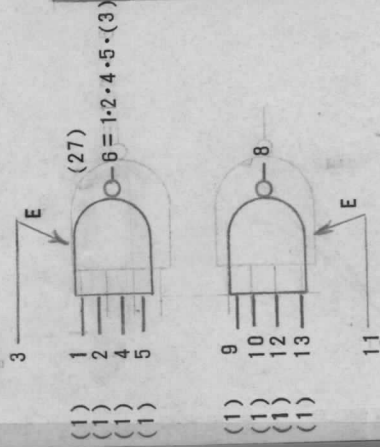


APPLICATION

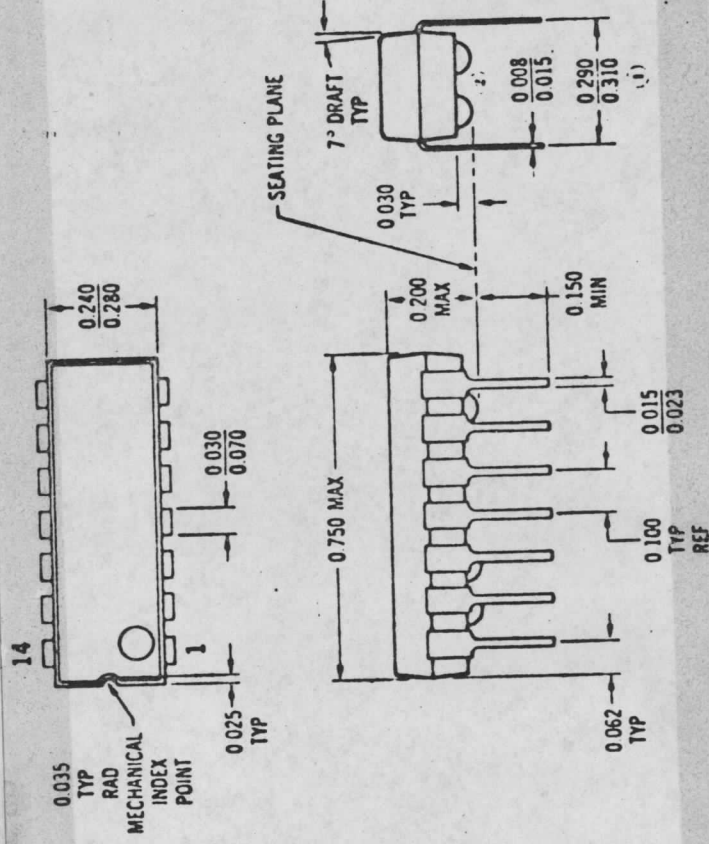
QTY	MODEL USED ON	ASS'Y NO.	LTR	DESCRIPTION	DATE	E.M.N.NO	DRAFT	CHKD	APPD
	RTTD-4		X	EXPERIMENTAL RELEASE	6/17/68		C.V.		<i>De</i>
			Ø	ORIG. RELEASE FOR PROD.		Ø	R.G.		<i>De</i>
			A	DIM. OUTLINE ADDED	3/24/69	19352	CU		<i>Jo op</i>

REVISIONS

MFGR (TMC CODE #): S401-302
 MFGR PART NUMBER: MC844P
 CASE TYPE: #93



MAXIMUM RATINGS	VALUE	UNIT
SUPPLY VOLTAGE CONTINUOUS PULSED, < 1 SECOND	+8 +12	Vdc
OUTPUT CURRENT (INTO OUTPUTS) CONTINUOUS PULSED, < 30 SECONDS	150 300	mADC
OPERATING TEMPERATURE RANGE:	0° TO +75°C	



REQ'D	ITEM	PART NUMBER	DESCRIPTION	SYM.
S. DE MARCO				
FINAL APPROVAL <i>S.D.M.</i>			LIST OF MATERIAL	
MECH. DES. <i>HO</i>			THE TECHNICAL MATERIEL CORP.	
ELECT. DES. <i>CU</i>			MAMARONECK, NEW YORK	
CHECKED <i>HO</i>			DUAL 4 INPUT POWER GATE	
DRAWN <i>CU</i>			NAND/NOR	
S401-302 (MC844P)			SIZE	ISSUE
			A	A
			CODE IDENT. NO.	DWG NO.
			82679	NW 172
			SCALE	SHEET
				OF

NOTICE TO PERSONS RECEIVING THIS DRAWING
 THE TECHNICAL MATERIEL CORPORATION claims proprietary right in the material disclosed herein. This drawing is issued in confidence for engineering information only and may not be reproduced or used to manufacture anything shown herein without permission from THE TECHNICAL MATERIEL CORPORATION to the user. This drawing is loaned for mutual assistance and is subject to recall at any time.