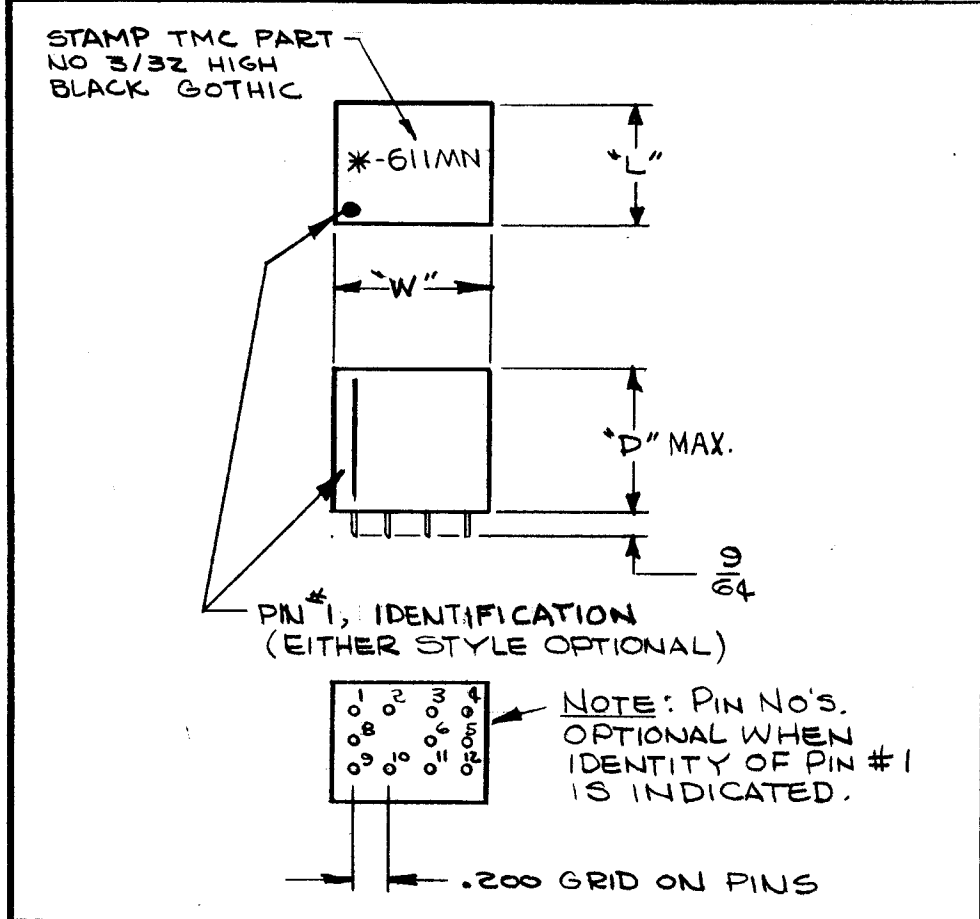


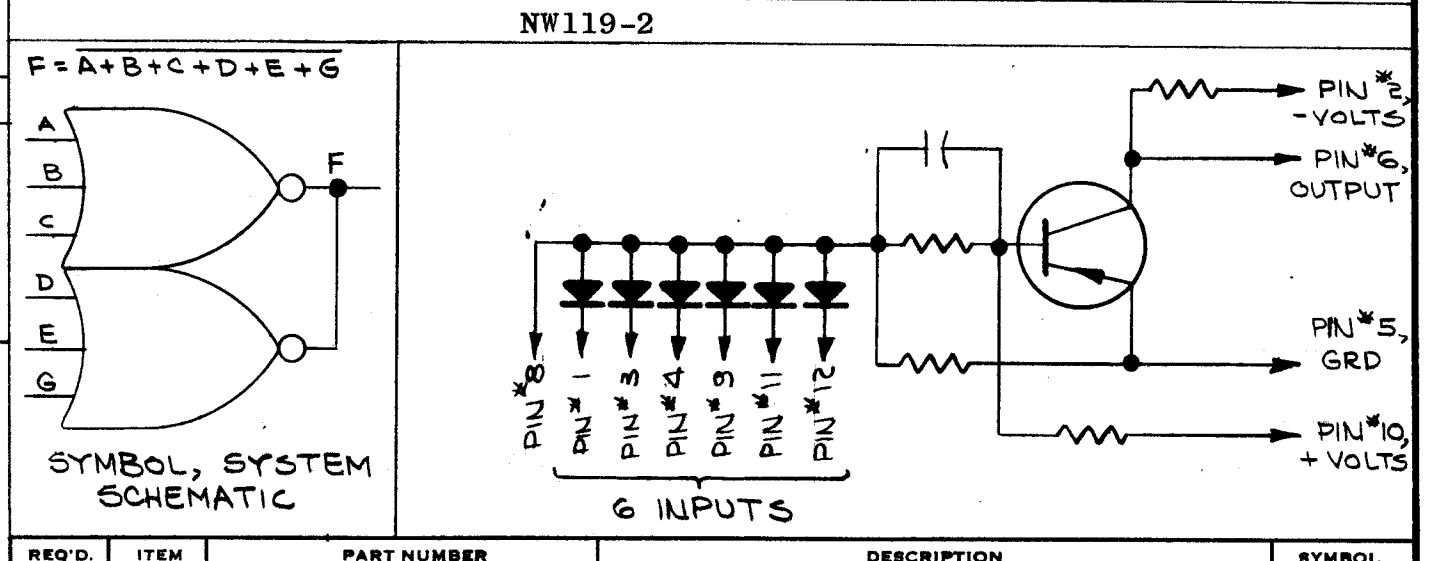
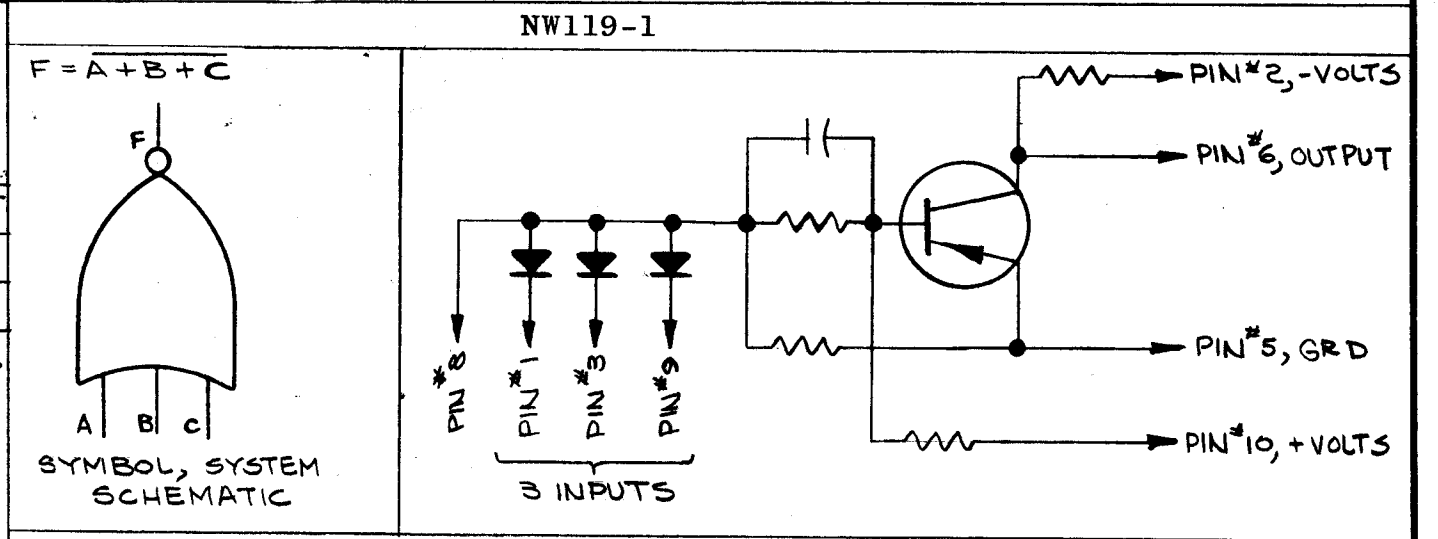
TMC PART NUMBER	MFG. PART NUMBER	MFG. TYPE NUMBER	SWITCHING CHAR.	INPUTS	SIZES			OPERATING TEMPERATURE
					"W"	"L"	"D"	
NW119-1	730B0055	NO11-1	A or B	3	.800	.630	.770	-35°C TO +65°C
NW119-2	730B0061	NO11-2	A or B	6	.800	.630	.770	-35°C TO +65°C
NW119-21	730B0055	NO11-1-B	A OR B	3	.800	.630	.460	-35°C TO +85°C
NW119-22	730B0061	NO11-1-B	A OR B	6	.800	.630	.460	-35°C TO +85°C

REVISIONS						
SYM	DESCRIPTION	DATE	E.M.N. NO.	DRAFT	CHKD	APPD
X	EXPER. RELEASE	12-16-64	X			
X1	SWITCH CHAR, LOGIC ADDED	2-30-65	X1		JM	
Ø	ORIGINAL RELEASE FOR PRODUCTION	4-23-65	Ø			
A	NW119.21F22 ADDED. NOTE 2 DELETED	6-30-65	14367	D.V.V.		
B	PICTORIAL REVISED, NOTE 2 ADDED	5-3-66	16184	H.L.A.		
C	-1 & -2 LINE ADDED ABOVE EQ.	2-3-67	17769	W.H.D.		
D	460 DIM. WERE 375 & MAX. ADDED TO "D" DIM	9/11/67	18484	H.G.		

D  
9  
NW119



SWITCHING CHARACTERISTICS	
A-6 VOLTS LOGIC	B-12 VOLTS LOGIC
INPUT	INPUT
AMPLITUDE, -3.5V MIN.	AMPLITUDE, -6V MIN.
TR UP TO 3µ sec	TR UP TO 3µ sec
TF UP TO 3µ sec	TF UP TO 3µ sec
OUTPUT	OUTPUT
AMPLITUDE, -6V MIN.	AMPLITUDE, -12V MIN.
TR LESS THAN .2µ sec	TR LESS THAN .2µ sec
TF LESS THAN .5µ sec	TF LESS THAN .5µ sec
NOTE: 1- USABLE ON NEGATIVE OR POSITIVE LOGIC. 2- POLARIZING PIN IS PIN #7.	



NOTES

REQ'D.	ITEM	PART NUMBER	DESCRIPTION	SYMBOL
<b>EATON LIST OF MATERIAL</b>				
MATERIAL		EPOXY (GREEN)		
FINISH		THE TECHNICAL MATERIEL CORP. MAMARONECK, NEW YORK		
Q'TY./UNIT		RTIA-1		
SCALE		1:1		
MODEL USED ON		S401-167		
ASS'Y. NO.		C		
THE CONTENTS OF THIS DRAWING ARE THE EXCLUSIVE PROPERTY OF THE TECHNICAL MATERIEL CORP. ITS UNAUTHORIZED USE OR REPRODUCTION IN WHOLE OR IN PART IS STRICTLY FORBIDDEN.				

UNLESS OTHERWISE SPECIFIED DIMENSIONS ARE IN INCHES AND INCLUDE CHEMICALLY APPLIED OR PLATED FINISHES		DRAWN		DATE	FINAL APPROVAL		DATE
DECIMALS	FRACTIONS	[Signature]		12-16-64	[Signature]		1/23/65
.X ± .05	± 1/64	CHECKED		1-25-65			
.XX ± .01	± 0° 30'	ELECT. DES.			NW119		D
.XXX ± .005		MECH. DES.			SHEET		REV. LTR.