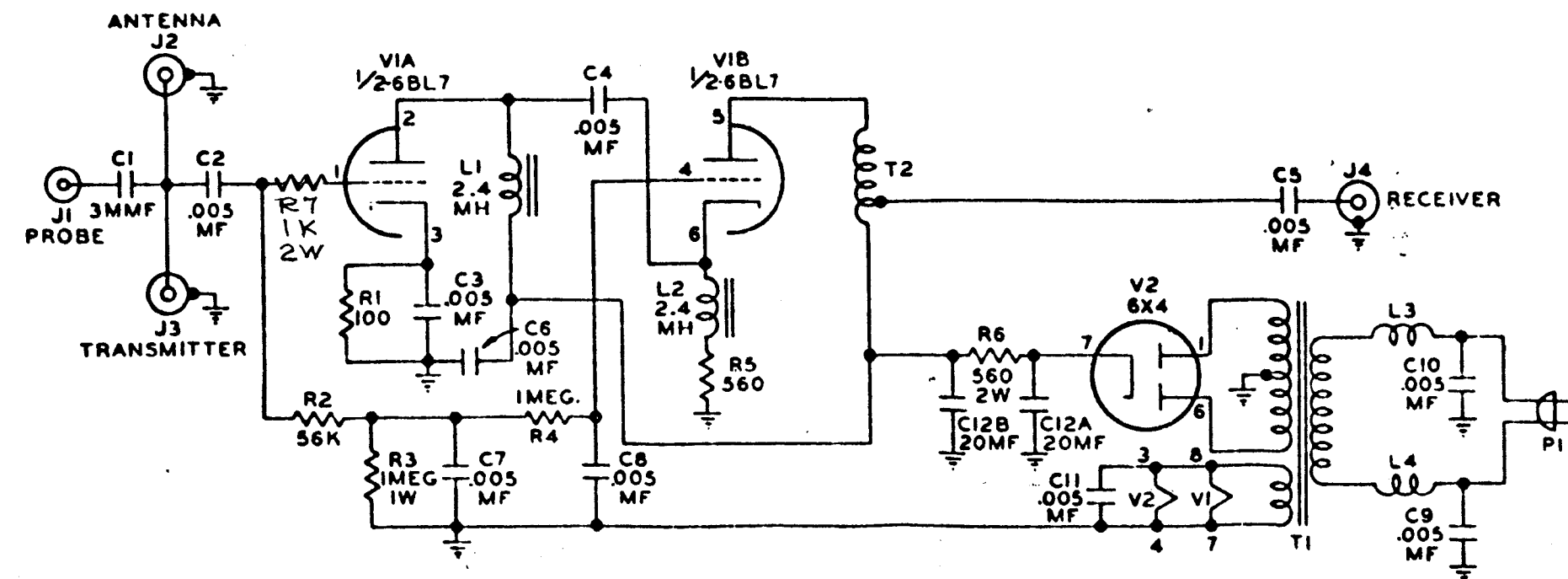


REVISIONS

ZONE	LTR	DESCRIPTION	DATE	E.M.N.NO	DRAFT	CHKD	APPD
	X	EXPERIMENTAL RELEASE	8/19/69			C.V.	
		ORIGINAL RELEASE	7/8/67				



ALL RESISTORS 1/2 WATT UNLESS OTHERWISE SPECIFIED
 ALL RESISTANCE VALUES IN OHMS UNLESS OTHERWISE SPECIFIED
 1-2-58

MFR (TMC CODE NO):
 MFR CATALOG NO: 250-39

SPECIFICATIONS
 FREQ. RANGE: 3.5 - 30 MHz
 POWER HANDLING: 4000 WATTS PEAK
 SIZE: 4-1/4W X 4-1/2H X 5-9/32 DEEP
 CONNECTORS: (3) 50-239 COAXIAL CONNECTORS
 AC INPUT VOLTAGE: 115V, 60 Hz
 MATERIAL AND FINISH: STEEL CABINET, NICKEL PLATED

GPTA-2.5JE	
QTY / UNIT	ASS'Y NO.
APPLICATION	
CODE	

NOTICE TO PERSONS RECEIVING THIS DRAWING
 THE TECHNICAL MATERIEL CORPORATION claims proprietary right in the material disclosed hereon. This drawing is issued in confidence for engineering information only and may not be reproduced or used to manufacture anything shown hereon without permission from THE TECHNICAL MATERIEL CORPORATION to the user. This drawing is loaned for mutual assistance and is subject to recall at any time.

UNLESS OTHERWISE SPECIFIED DIMENSIONS ARE IN INCHES AND INCLUDE CHEMICALLY APPLIED OR PLATED FINISHES	
DECIMALS .X ± .05 .XX ± .01 .XXX ± .005	FRACTIONS 1/64 ANGLES 0° .30'
MATERIAL	
FINISH	

REQ'D	ITEM	PART NUMBER	DESCRIPTION	SYM.
F. Budetti LIST OF MATERIAL				
THE TECHNICAL MATERIEL CORP. MAMARONECK, NEW YORK				
NETWORK, T-R SWITCH				
SIZE	CODE IDENT. NO.	DWG NO.	ISSUE	
B	82679	NW178	Ø	
SCALE			SHEET	OF