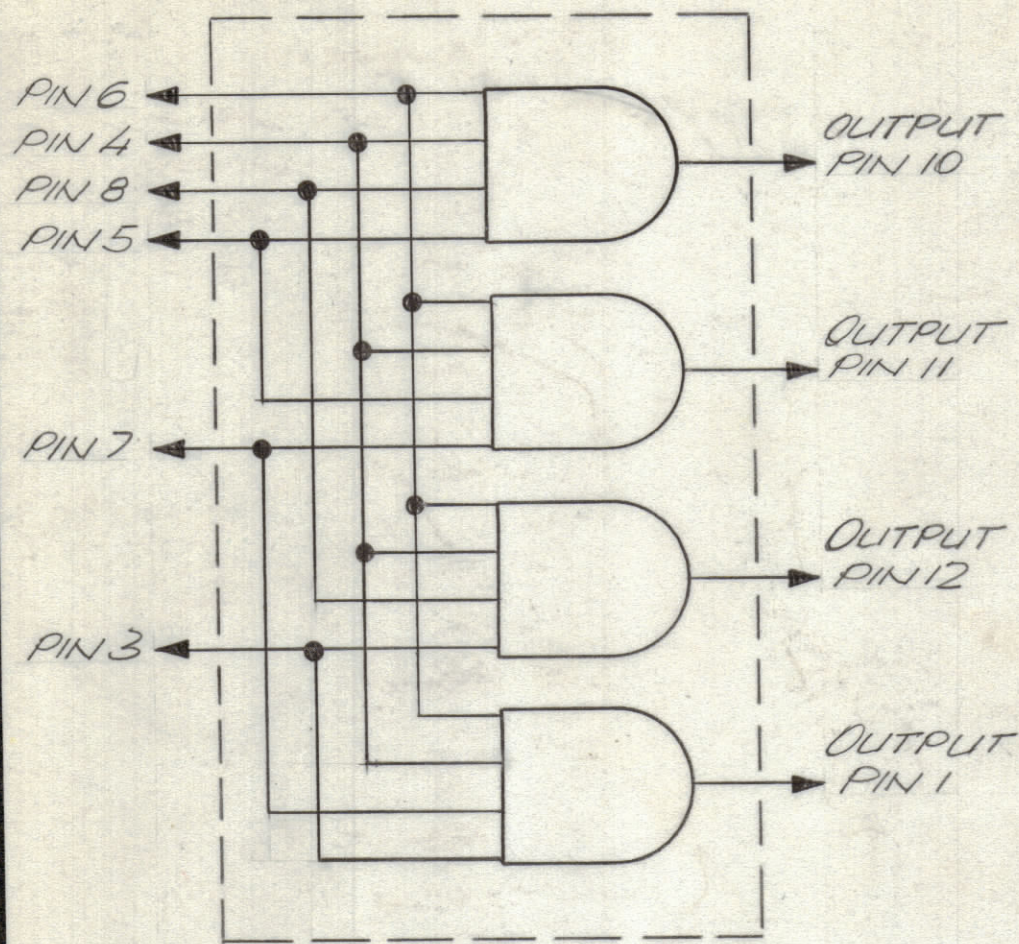
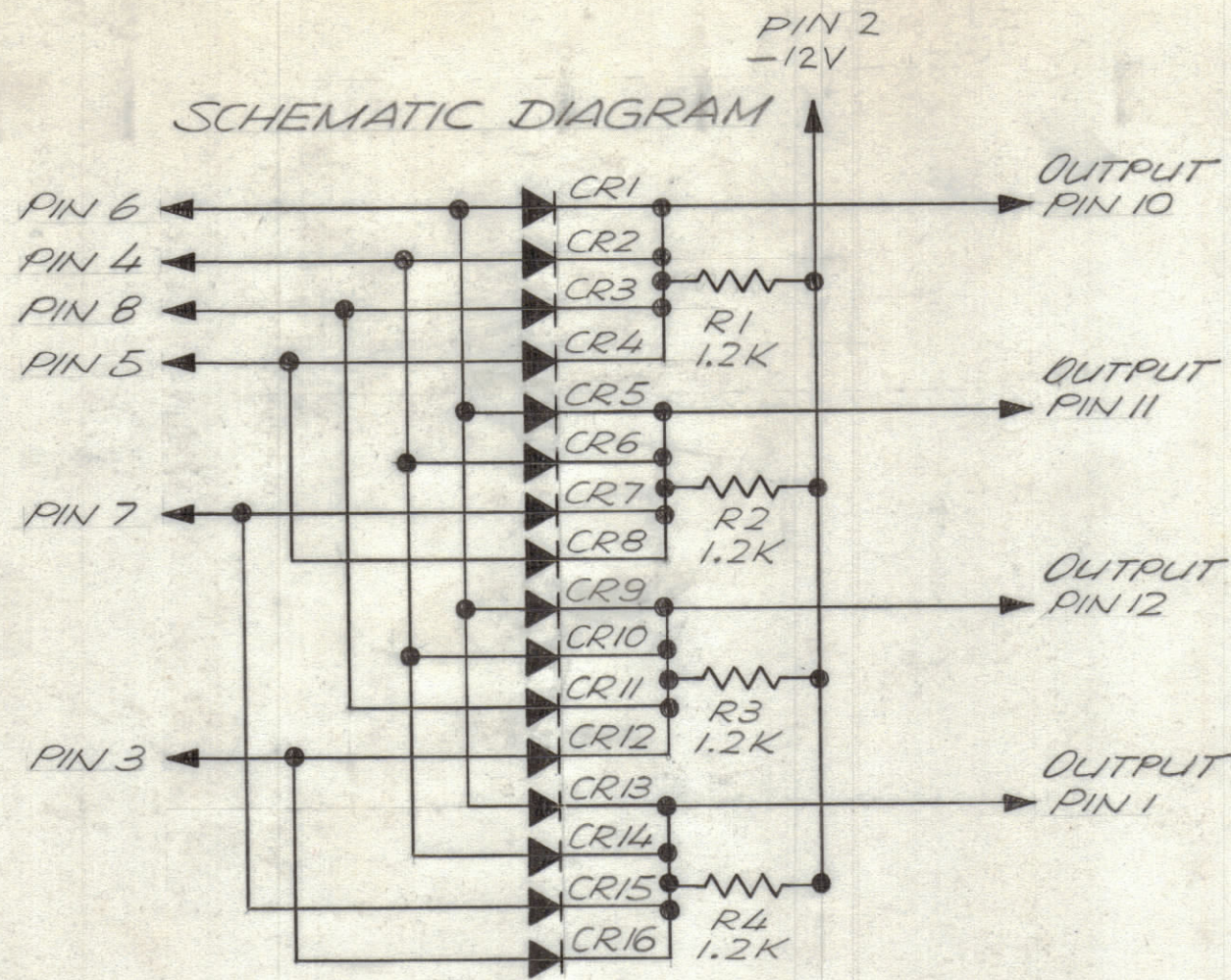


NW142-44

LOGIC DIAGRAM



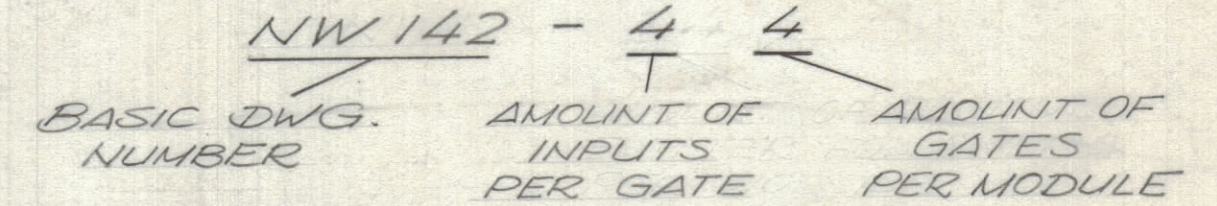
SCHEMATIC DIAGRAM



ALL RESISTORS ARE IN OHMS 1/4 W ± 5%
ALL DIODES ARE 1N914.

REVISIONS						
ZONE	LTR	DESCRIPTION	DATE	E.M.N.NO	DRAFT	CHKD
	X	EXP. RELEASE	3/29/69			K.L.H.
	X1	REV. & UPDATED	11/3/69			K.L.H. M.L.G.
	X2	12 VOLT LOGIC TO ELEC. SPEC. ADD	11/16/69			K.L.H. M.L.G.
	Ø	ORIGINAL RELEASE FOR PRODUCTION	12/14/70			W.

TMC PART NUMBER SHALL APPEAR IN THE FOLLOWING FORM:



ELECTRICAL SPECIFICATIONS:

12 VOLT LOGIC
PIN # 2 - 12 V

SWITCHING CHARACTERISTICS:

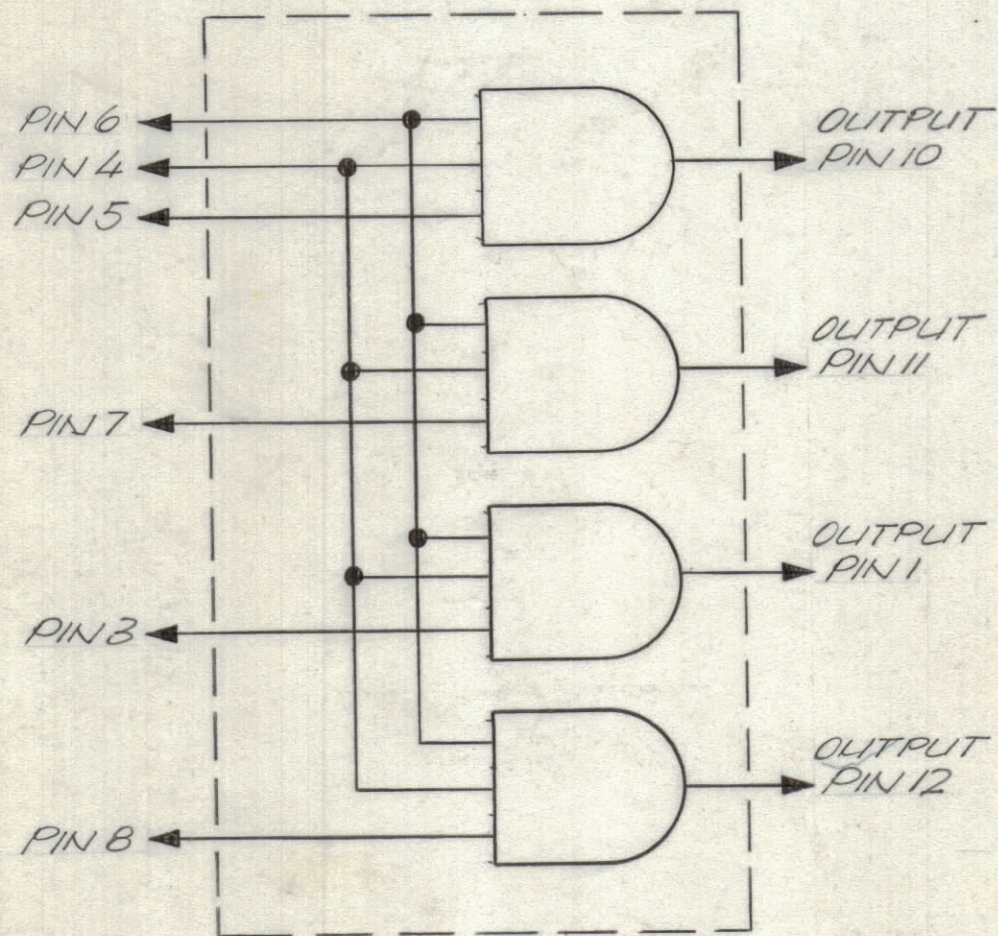
EACH INPUT MIN. VOLTAGE - 5.2 VDC
EACH OUTPUT MIN. VOLTAGE - 6.0 VDC
OPERATING TEMPERATURE 0°C TO + 75°C

MECHANICAL SPECIFICATIONS:

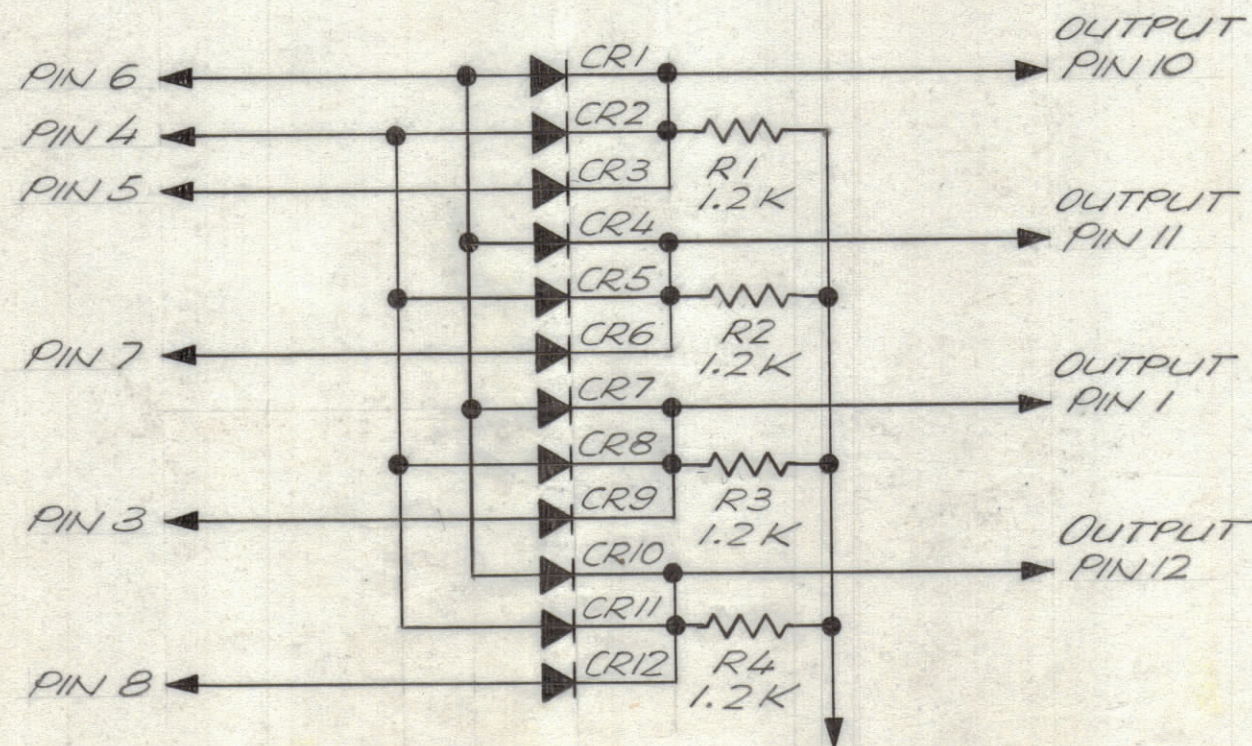
POTTING COMPOUND: EPOTEC 509
CASE MATERIAL: DIALLYL PHTHALATE
POLARIZING PIN: PIN # 9

NW142-34

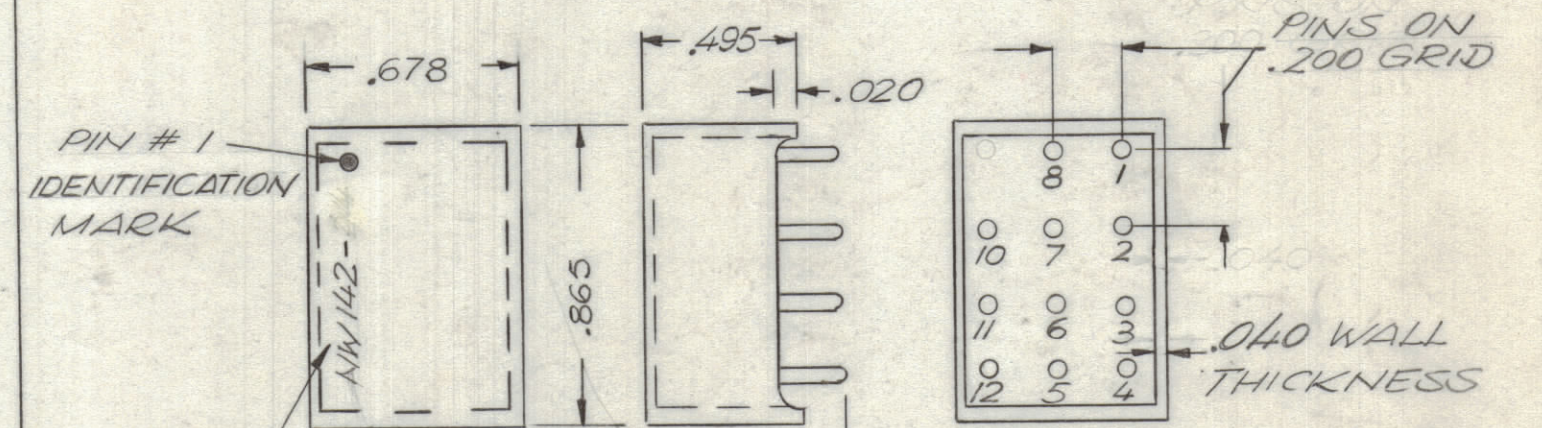
LOGIC DIAGRAM



SCHEMATIC DIAGRAM



ALL RESISTORS ARE IN OHMS 1/4 W ± 5%
ALL DIODES ARE 1N914



MARKING TO BE APPROX. 1/8 HIGH, WHITE GOTHIC EPOXY

MARK AS REQ.:
NW 142 - 44
NW 142 - 34
NW 142 - 24
NW 142 - 43

NOTE:
PINS ARE EXTRUDED COMPONENT LEADS (DO NOT USE TRANSISTOR LEADS FOR MOUNTING PINS)

QTY. REQ.	ITEM	PART NO.	DESCRIPTION	SYMBOL
LIST OF MATERIAL				

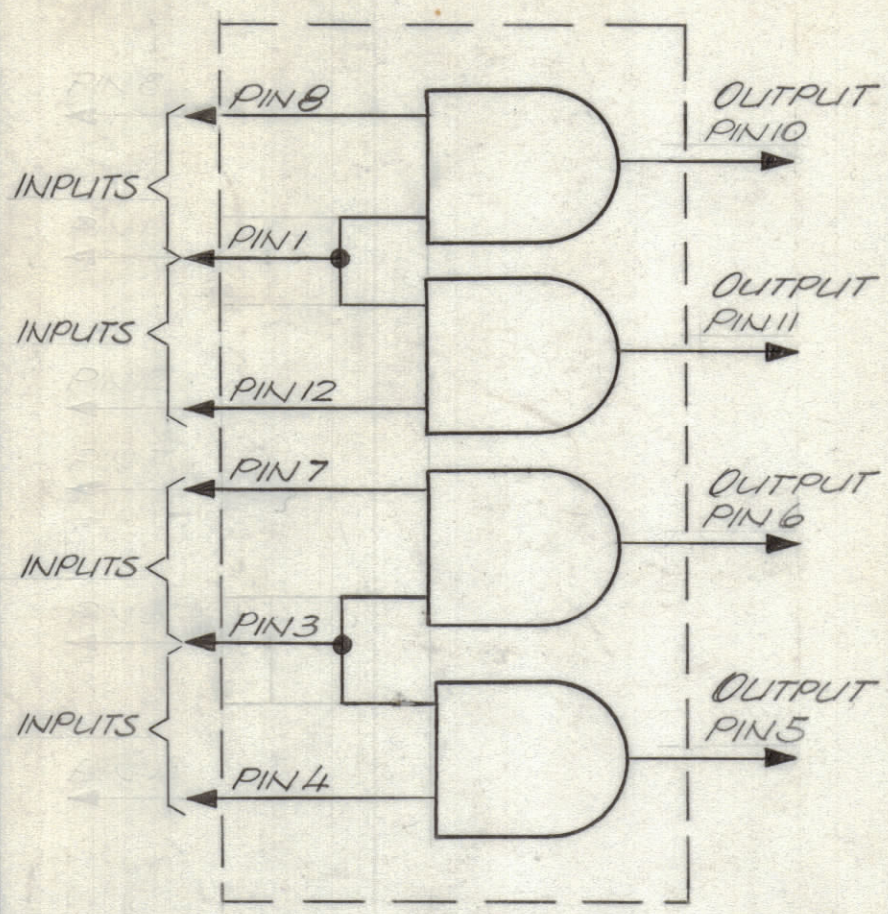
FINAL APPROVAL <i>S. De Marco</i>	DATE 3/24/70
MECH. DES. <i>R. Uzzo</i>	DATE 2-24-70
ELECT. DES.	DATE
CHECKED <i>[Signature]</i>	DATE 9/24/69
DRAWN <i>G.E., K.L.H.</i>	DATE 3/22/69

THE TECHNICAL MATERIEL CORP. MAMARONECK, NEW YORK			
NETWORK, DIGITAL AND GATE			
SIZE	CODE IDENT.NO.	DWG NO.	ISSUE
C	82679	NW142	Ø
SCALE			SHEET 1 OF 2

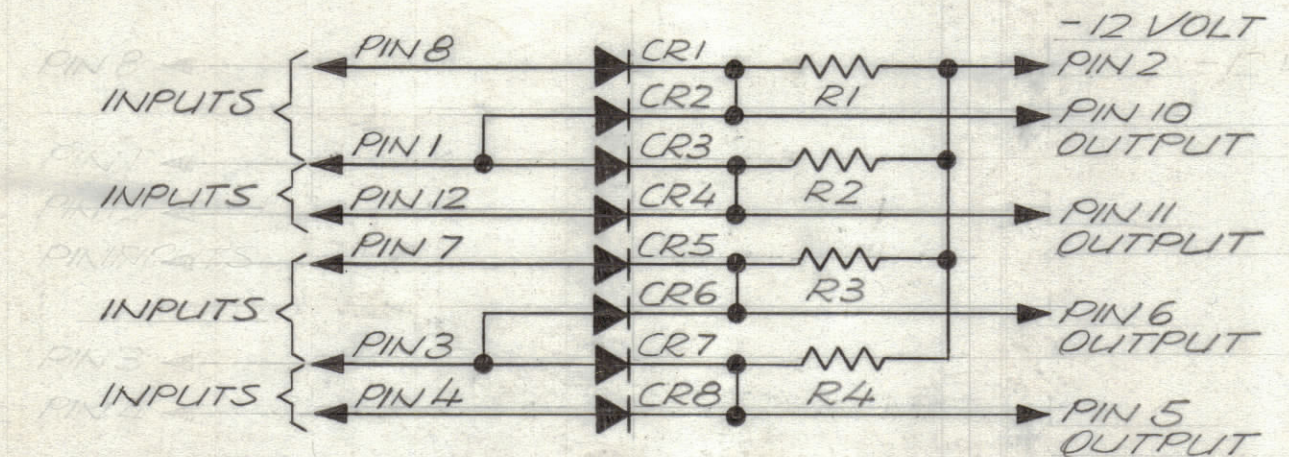
DDRR-10K, 10M		
QTY / UNIT	MODEL USED ON	ASS'Y NO.
APPLICATION		
CODE		
<p>NOTICE TO PERSONS RECEIVING THIS DRAWING</p> <p>THE TECHNICAL MATERIEL CORPORATION claims proprietary right in the material disclosed hereon. This drawing is issued in confidence for engineering information only and may not be reproduced or used to manufacture anything shown hereon without permission from THE TECHNICAL MATERIEL CORPORATION to the user. This drawing is loaned for mutual assistance and is subject to recall at any time.</p>		

NW 142-24

LOGIC DIAGRAM



SCHEMATIC DIAGRAM

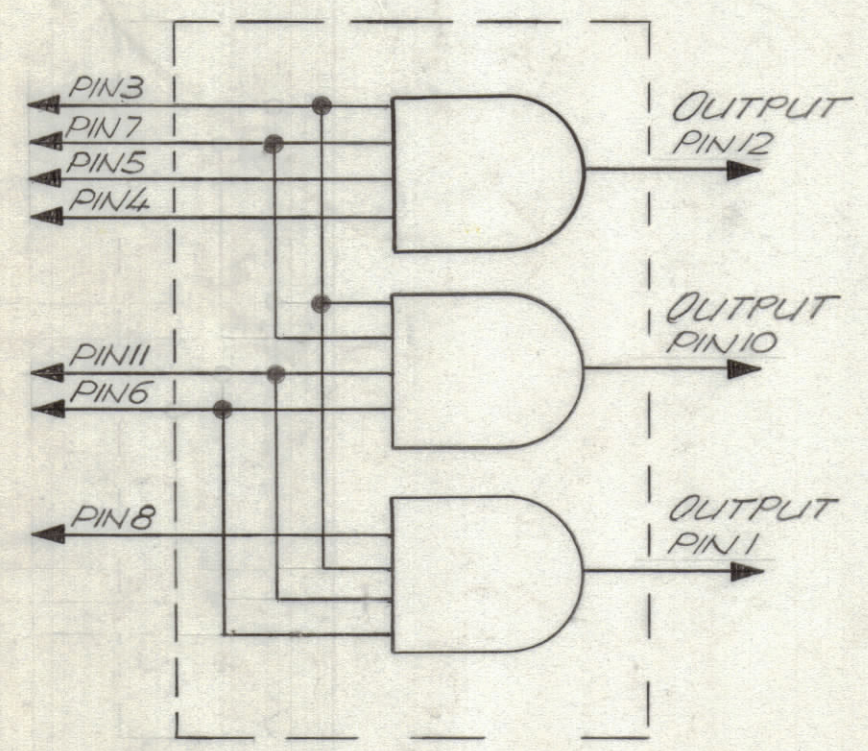


ALL RESISTORS ARE 1.2 K OHMS,
1/4 W, ± 5% ± 5%
ALL DIODES ARE 1N914

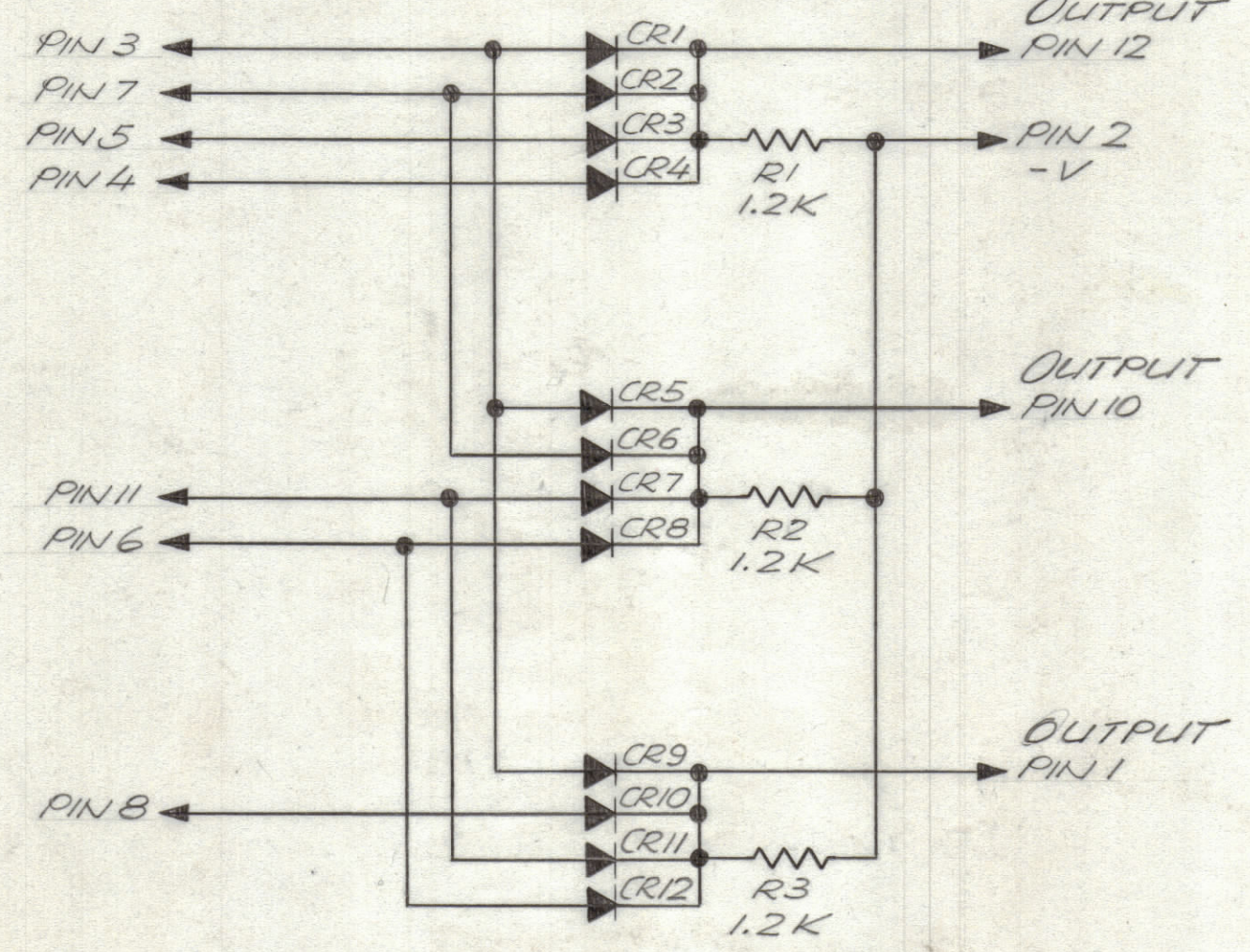
REVISIONS						
ZONE	LTR	DESCRIPTION	DATE	E.M.N.NO	DRAFT	CHKD
	X	EXP. RELEASE	9/11/69			KH.
	X1	REV. & UPDATED	11/3/69			KH. RLD
	X2	SEE SHEET 1 OF 2	11/6/69			KH.
	Ø	ORIGINAL RELEASE FOR PRODUCTION	2/24/70			W.

NW 142-43

LOGIC DIAGRAM



SCHEMATIC DIAGRAM



ALL RESISTORS ARE IN OHMS 1/4 W ± 5%
ALL DIODES ARE 1N914

NOTE: SEE SHEET 1 OF 2 FOR SPECIFICATIONS

QTY. REQ.	ITEM	PART NO.	DESCRIPTION	SYMBOL
-----------	------	----------	-------------	--------

LIST OF MATERIAL

FINAL APPROVAL <i>S. De Marco</i>	DATE 9/24/70
MECH. DES. <i>R. W. 880</i>	DATE 2-24-70
ELECT. DES.	DATE
CHECKED <i>H. Lee</i>	DATE 9/24/69
DRAWN <i>G. Evangelista</i>	DATE 3/22/69

THE TECHNICAL MATERIEL CORP.
MAMARONECK, NEW YORK

NETWORK, DIGITAL
AND GATE

QTY / UNIT	DDRR-10K, 10M	ASS'Y NO.
APPLICATION		
CODE		

NOTICE TO PERSONS RECEIVING THIS DRAWING
THE TECHNICAL MATERIEL CORPORATION claims proprietary right in the material disclosed hereon. This drawing is issued in confidence for engineering information only and may not be reproduced or used to manufacture anything shown hereon without permission from THE TECHNICAL MATERIEL CORPORATION to the user. This drawing is loaned for mutual assistance and is subject to recall at any time.

UNLESS OTHERWISE SPECIFIED DIMENSIONS ARE IN INCHES AND INCLUDE CHEMICALLY APPLIED OR PLATED FINISHES	
TOLERANCES ON	
DECIMALS	FRACTIONS
.X ± .05	± 1/64
.XX ± .01	ANGLES
.XXX ± .005	± 0° -30'
MATERIAL	
FINISH	

SIZE	CODE IDENT. NO.	DWG NO.	ISSUE
C	82679	NW 142	Ø
SCALE			SHEET 2 OF 2