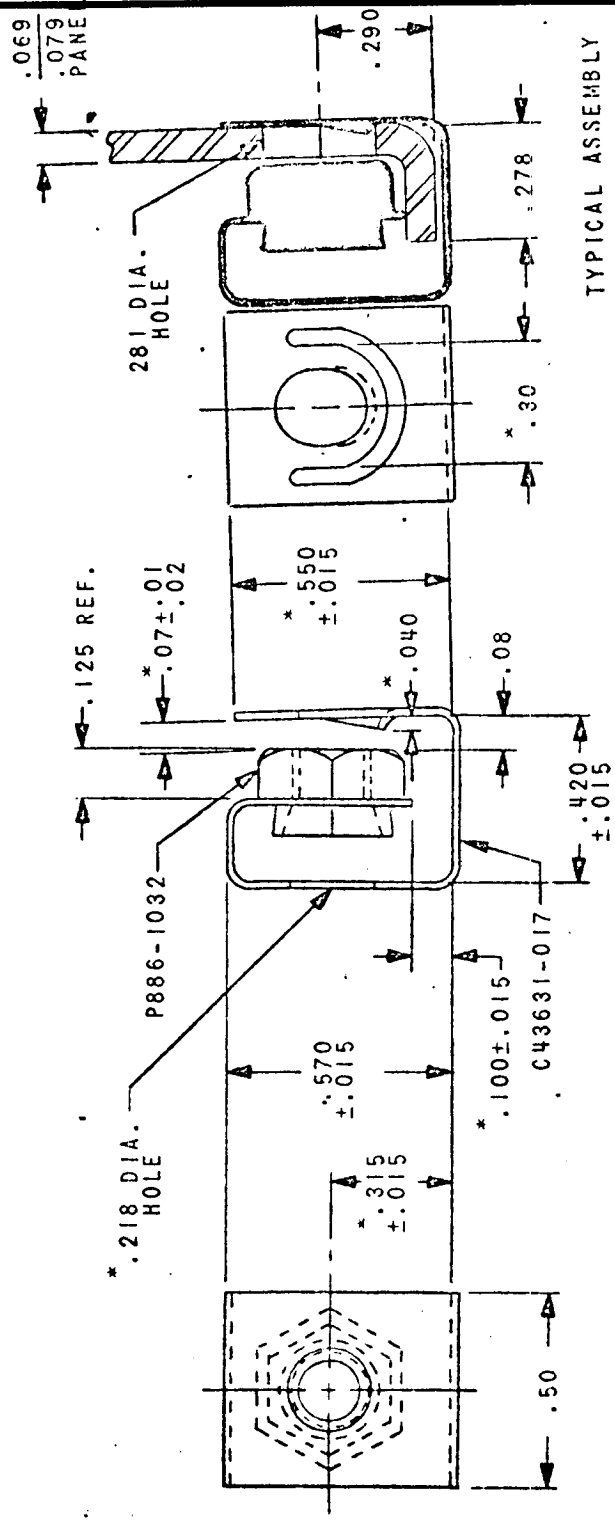
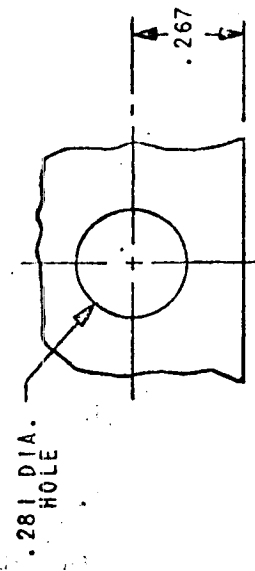


APPLICATION			REVISIONS						
QTY	MODEL USED ON	ASS'Y NO.	LTR	DESCRIPTION	DATE	E.M.N.NO	DRAFT	CHKD	APPD
			Ø		11/7/73		DV		



TYPICAL ASSEMBLY



RECOMMENDED
HOLE LAYOUT IN
.060-.070 FLAT PANEL

MFR (TMC CODE NO.): S401-76
MFR PART NO.: C-31758-1032-24

UNLESS OTHERWISE SPECIFIED DIMENSIONS ARE IN INCHES AND INCLUDE CHEMICALLY APPLIED OR PLATED FINISHES	REQ'D ITEM	PART NUMBER	DESCRIPTION	SYM.
DECIMALS X ± .05 .XX ± .01 .XXX ± .005 FRACTIONS 1/64 ANGLES Ø .30°			LIST OF MATERIAL	
MATERIAL			THE TECHNICAL MATERIEL CORP. MAMARONECK, NEW YORK	
FINISH			NUT, RETAINER	
FINAL APPROVAL: <i>DB</i> DATE: 11/7/73 MECH. DES. DATE: ELECT. DES. DATE: CHECKED DATE: DRAWN DATE:				

NOTICE TO PERSONS RECEIVING THIS DRAWING THE TECHNICAL MATERIEL CORPORATION claims proprietary right in the material disclosed hereon. This drawing is issued in confidence for engineering information only and may not be reproduced or used to manufacture anything shown hereon without permission from THE TECHNICAL MATERIEL CORPORATION to the user. This drawing is loaned for mutual assistance and is subject to recall at any time.		SIZE	CODE IDENT. NO.	DWG NO.	ISSUE
A	82679		NT 161		
SCALE		SHEET	OF		