

5

4

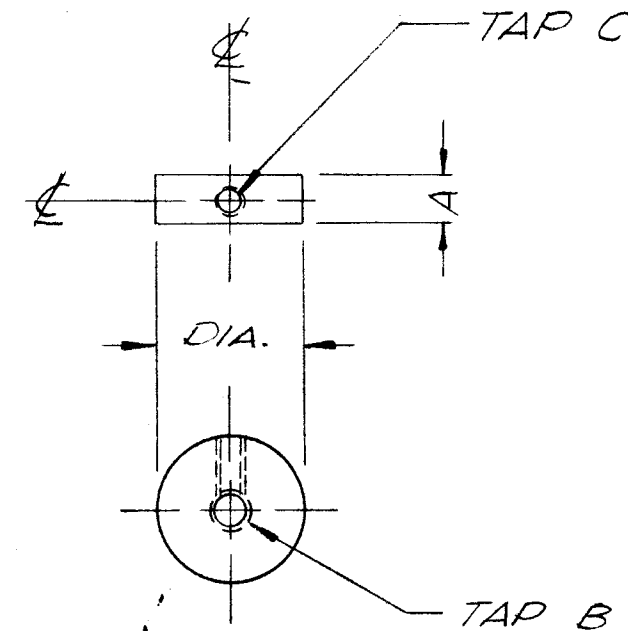
3

2

1

TMC PART NO.	DIA.	A	TAP B	TAP C	MATERIAL	FINISH
NT 160 -1	3/4	1/4	1/4-20	8-32	1/2 HARD BRASS	NATURAL
-2	1	3/8	5/16-18	8-32	1/2 HARD BRASS	NATURAL

REVISIONS						
ZONE	LTR	DESCRIPTION	DATE	E.M.N.NO	DRAFT	CHKD APPD
	Ø	ORIG RELEASE FOR PROD			CV	JEB
	A	NT160-2 ADDED	2/15/72	20492	(C)	EP EP



REQ'D	ITEM	PART NUMBER	DESCRIPTION	SYM.
F. BUDETTI LIST OF MATERIAL				
THE TECHNICAL MATERIEL CORP. MAMARONECK, NEW YORK				
NUT SPECIAL FOLLOWER, ACTUATOR				
QTY / UNIT		MODEL USED ON	ASS'Y NO.	
1		MFTR-10KE5	-2	
1		TLAA 1K	-1	
APPLICATION				
CODE				
MATERIAL				
FINISH				
SCALE		CODE IDENT. NO.	DWG NO.	ISSUE
B		82679	NT-160	A
SHEET		OF		

UNLESS OTHERWISE SPECIFIED DIMENSIONS ARE IN INCHES AND INCLUDE CHEMICALLY APPLIED OR PLATED FINISHES

DECIMALS .X ± .05 .XX ± .01 .XXX ± .005

FRACTIONS 1/64 ANGLES 0°-30'

TOLS.

NOTICE TO PERSONS RECEIVING THIS DRAWING
THE TECHNICAL MATERIEL CORPORATION claims proprietary right in the material disclosed hereon. This drawing is issued in confidence for engineering information only and may not be reproduced or used to manufacture anything shown hereon without permission from THE TECHNICAL MATERIEL CORPORATION to the user. This drawing is loaned for mutual assistance and is subject to recall at any time.