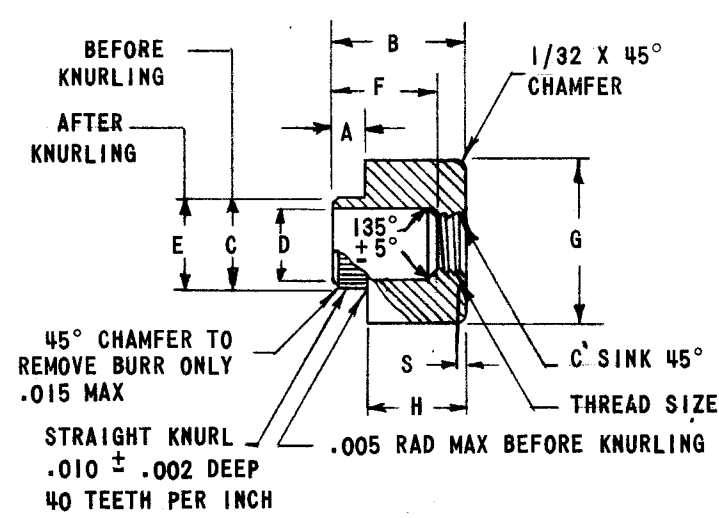


TMC P/N	MFGR P/N	THREAD SIZE (SEE CHART)	MATERIAL (SEE NOTES)	FINISH (SEE NOTES)
NT156-I	625IA-SS-0632	6-32UNC-2B	STAINLESS STEEL	PASSIVATE

REVISIONS						
ZONE	LTR	DESCRIPTION	DATE	E.M.N.NO	DRAFT	CHKD APPD
	X	EXPERIMENTAL RELEASE	3/26/68		C.V.	<i>[Signature]</i>
	Ø	ORIG. RELEASE FOR PROD	11/19/68	Ø	R.G.	<i>[Signature]</i>



THREAD SIZE CHART										
THREAD SIZE	PANEL THICKNESS RANGE	A	B	C	D	E	F	G	H	S
		±.005	+ .016	+ .000 - .003	+ .002 - .001	±.002	±.005 - .010	±.003	±.005	±.005 - .000
4-40UNC-2B	.048-.072	.050	1/4	.188	.140	.198	11/64	1/4	.200	.026
	.074-.109	.080							.170	
	.119-.156	.125							.125	
6-32UNC-2B	.048-.072	.050	5/16	.188	.150	.198	7/32	1/4	.262	.026
	.074-.109	.080							.232	
	.119-.156	.125							.187	
8-32UNC-2B	.048-.072	.050	5/16	.218	.188	.228	7/32	5/16	.262	.026
	.074-.109	.080							.232	
	.119-.156	.125							.187	
10-24UNC-2B	.048-.072	.050	3/8	.270	.228	.280	1/4	3/8	.325	.032
	.074-.109	.080							.295	
	.119-.156	.125							.187	
	.188	.188							.124	
	.250	.250							.125	

NOTES:
MATERIAL: SS-CORROSIVE RESISTING STEEL (STAINLESS STEEL): QQ-S-763A CLASS 7 TYPE A (302 OR 303 ANNEALED) (ASTM A276-55 TYPE 302)
 B- BRASS: QQ-B-626 COMP. 22 1/2 HARD. (ASTM B16 HALF HARD TEMPER)
FINISH: FOR CORROSIVE RESISTING STEEL (SS): PASSIVATE PER MIL-F-14072 (SIG C)E300
 FOR BRASS (B): NICKEL PLATE PER QQ-N-290 CLASS I, TYPE VI KC

REF: FOR USE WITH SC168

REQ'D	ITEM	PART NUMBER	DESCRIPTION	SYM.
		HOGAN	LIST OF MATERIAL	

UNLESS OTHERWISE SPECIFIED DIMENSIONS ARE IN INCHES AND INCLUDE CHEMICALLY APPLIED OR PLATED FINISHES	FINAL APPROVAL <i>[Signature]</i> MECH. DES. <i>[Signature]</i>	DATE 11/18/68	THE TECHNICAL MATERIEL CORP. MAMARONECK, NEW YORK RETAINER, SCREW, PANEL
DECIMALS .X ± .05 .XX ± .01 .XXX ± .005	FRACTIONS 1/64 ANGLES 0°-30'	ELECT. DES. <i>[Signature]</i>	
MATERIAL	CHECKED <i>[Signature]</i>	DATE 11/19/68	
FINISH	DRAWN <i>[Signature]</i>	DATE 3/27/68	

QTY / UNIT	MODEL USED ON	ASS'Y NO.
	HFSR-4	
APPLICATION		
	CODE C	S401-89

SIZE	CODE IDENT. NO.	DWG NO.	ISSUE
B	82679	NT 156	Ø

SCALE: ——— SHEET OF