

TMC PART NO.	MFG PART NO.	THREAD SIZE	PANEL THK. RANGE	NOMINAL PANEL SIZE	A +.000 -.010	B +.016 -.000	C +.000 -.003	D +.002 -.001	F +.005 -.010	G ±.003	H ±.005	J ±.005	K +.005 -.000
NT151-1	6281B-SS-0632	6-32UNC-2B	.084-.099	3/32	.093	7/16	.250	.188	9/32	9/32	.344	.062	.192

REVISIONS						
SYM	DESCRIPTION	DATE	E.M.N. NO.	DRAFT	CHKD	APPD
Ø	ORIGINAL RELEASE FOR PRODUCTION	5/20/65	-A-	GDL		

NT151-1

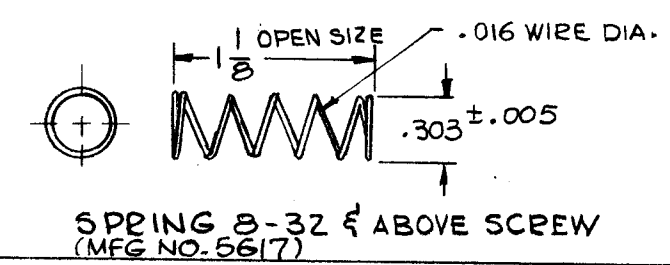
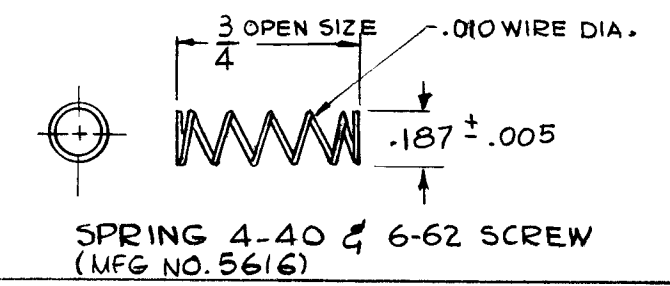
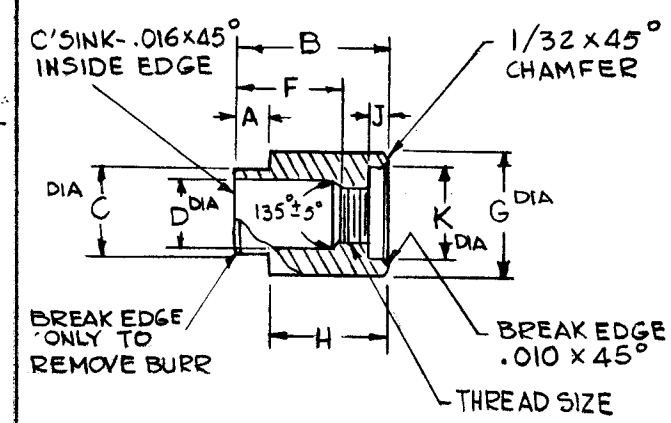
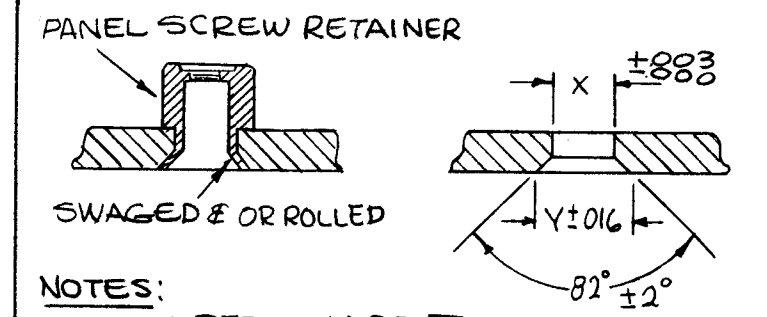


CHART II

SHANK DIA. "C"	.250	.433
"X" DIM →	.257	.437
	"Y" DIM. ↓	
PANEL THICKNESS RANGE ↑	.052-.067	.312 .500
	.084-.099	.350 .535
	.109-.140	.365 .554
	.171-.203	.397 .581
	.234-.265	.421 .608

METHOD OF INSTALLATION



NOTES:
1- X DIM PER CHART II
2- X HOLE TO BE DRILLED OR PUNCHED

REQ'D.	ITEM	PART NUMBER	DESCRIPTION	SYMBOL

LIST OF MATERIAL

MATERIAL STAINLESS STEEL A (A302 OR 303)	THE TECHNICAL MATERIEL CORP. MAMARONECK, NEW YORK		
FINISH PASSIVATE	TITLE RETAINER, SCREW, PANEL W/SPRING		
UNLESS OTHERWISE SPECIFIED DIMENSIONS ARE IN INCHES AND INCLUDE CHEMICALLY APPLIED OR PLATED FINISHES	DRAWN G.D.L	DATE 5-14-65	FINAL APPROVAL <i>[Signature]</i>
	CHECKED <i>[Signature]</i>	DATE 6-7-65	DATE 4/9/65
	ELECT. DES.	DATE	NT151-Ø
	MECH. DES. <i>[Signature]</i>	DATE 6-9-65	REV. LTR.

REF: CAPTIVE SCREW SC166

Q'TY./UNIT	MODEL USED ON	ASS'Y. NO.
SCALE	CODE C	SA01-89

THE CONTENTS OF THIS DRAWING ARE THE EXCLUSIVE PROPERTY OF THE TECHNICAL MATERIEL CORP. ITS UNAUTHORIZED USE OR REPRODUCTION IN WHOLE OR IN PART IS STRICTLY FORBIDDEN.

STANDARD DRAWING

NOTES