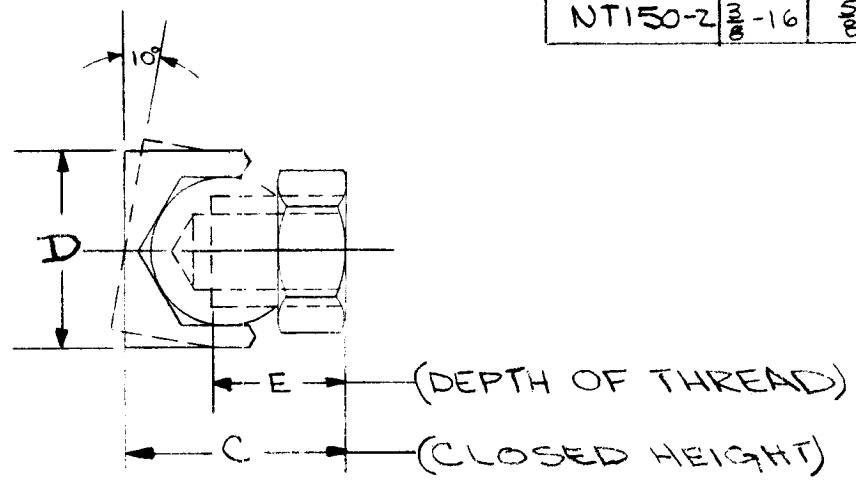
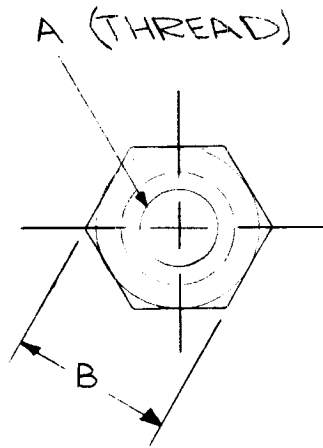


# STANDARD DRAWING

REQ. PER UNIT	USED ON			NT150 ∅
	MODEL	ASS'Y. NO.	DATE	
	GPT 10KLF		8-24-66	

TMC P/N	A	B	C	D	E	MFG P/N
NT150-1	1/4-20	1/2	5/16	5/8	13/32	RP-1
NT150-2	3/8-16	5/8	1/2	3/4	1/2	RP-3



								REQ. ITEM	PART NO.	DESCRIPTION	SYMBOL	
										THE TECHNICAL MATERIEL CORP. MAMARONECK, NEW YORK		
									STOCK SIZE			
									STEEL	NUT, SWIVEL PAD		
									MATERIAL			
									SAE 1113 OR EQUIV.	EANZA <i>[Signature]</i> 8/23/65 [Signature] 8/25/65		
									TYPE & TEMPER	CHECKED	FINAL APPROVAL	
									CADMIUM PLATE	[Signature] 8/25/65 MECH. DES. APP.	NT150 ∅	
									HEAT TREAT. SPEC.			
									TYPE 1 CLASS C			
									FINISH & SPEC. NO.	ELEC. DES. APP.		
UNLESS OTHERWISE SPECIFIED DIMENSIONS ARE IN INCHES AND INCLUDE CHEMICALLY APPLIED OR PLATED FINISHES			SCALE	DO NOT SCALE								
DECIMALS .X ± .05 .XX ± .01 .XXX ± .005	TOLERANCES	FRACTIONS ± 1/64 ANGLES ± 0° 30'	CODE	SA01-360(RP)								