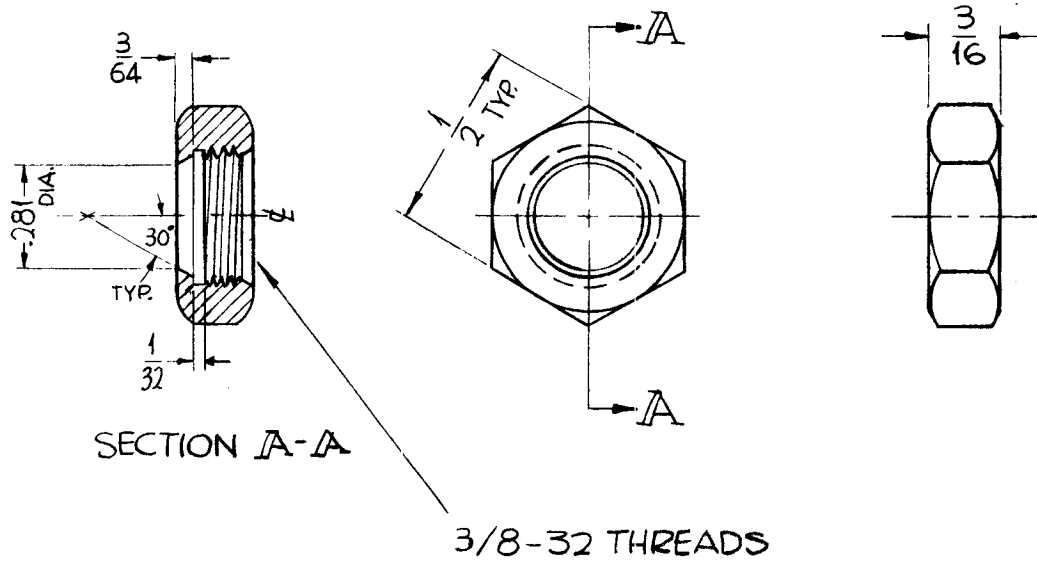


REQ. PER UNIT	USED ON			NT-148	O
	MODEL	ASS'Y. NO.	DATE		
1	GPT-200K	A-	4-20-64		



MATES WITH PM-1011

REF: ALLAN BRADLEY #B13750

REQ.	ITEM	PART NO.	F. BUDETTI	DESCRIPTION	SYMBOL
			THE TECHNICAL MATERIEL CORP. MAMARONECK. NEW YORK		
		STOCK SIZE	NUT, LOCKING		
		BRASS			
		MATERIAL			
		SCALE	SRG	<i>add</i>	<i>Rex</i>
		TYPE & TEMPER	DRAWN	CHECKED	FINAL APPROVAL
		NICKEL PLATED	<i>QOS</i>	<i>R</i>	NT-148
		FINISH & SPEC. NO.	ELEC. DES. APP.	MECH. DES. APP.	O
UNLESS OTHERWISE SPECIFIED DIMENSIONS ARE IN INCHES AND INCLUDE CHEMICALLY APPLIED OR PLATED FINISHES		DATE	CH. NO.	DRAFTS	CHECKER
ORIGINAL RELEASE FOR PRODUCTION		5-27-64	A.M.		
DECIMALS .X ± .05 .XX ± .01 .XXX ± .005	FRACTIONS ± 1/64 ANGLES ± 0° 30'	TOLERANCES	CODE		
TNC FORM 108-A		REPROVEL NO. 440H		16104	