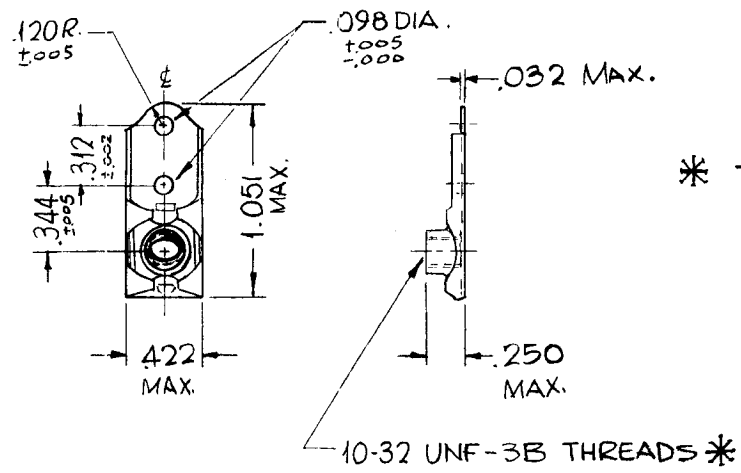


STANDARD DRAWING

REQ. PER UNIT	USED ON		
	MODEL	ASS'Y. NO.	DATE
2	GPT-200K(AT-105)	A-2765	3-19-64
1	GPT-200K(AT-105)	A-2766	3-19-64

NT 147 | A



* THREADED PORTION ELLIPTICALLY DEFORMED

MFG. PART NO. LHTA517-2860-02 REF. MIL STD MS21061

SYM	DESCRIPTION	DATE	CH. NO.	DRAFTS	CHECKER	ENG. APP.	REQ. ITEM	PART NO.	F. BUDETTI	DESCRIPTION	SYMBOL
A	GEN. REVISED & UPDATED	5-2-66	16187	HJA	qcb	jc				THE TECHNICAL MATERIEL CORP. MAMARONECK, NEW YORK NUT, FLOATING SELF LOCKING	A
O	ORIGINAL RELEASE FOR PRODUCTION	5-13-64	O	A.M.							
UNLESS OTHERWISE SPECIFIED DIMENSIONS ARE IN INCHES AND INCLUDE CHEMICALLY APPLIED OR PLATED FINISHES							SCALE 1"=1"		SRG aa RUC		
DECIMALS .X ± .05 .XX ± .01 .XXX ± .005							TOLERANCES		FRACTIONS ± 1/64 ANGLES ± 0° 30'		
CODE C							S401-290		CAD PLATE		
FINISH & SPEC. NO.							ELEC. DES. APP. MECH. DES. APP.		NT 147		