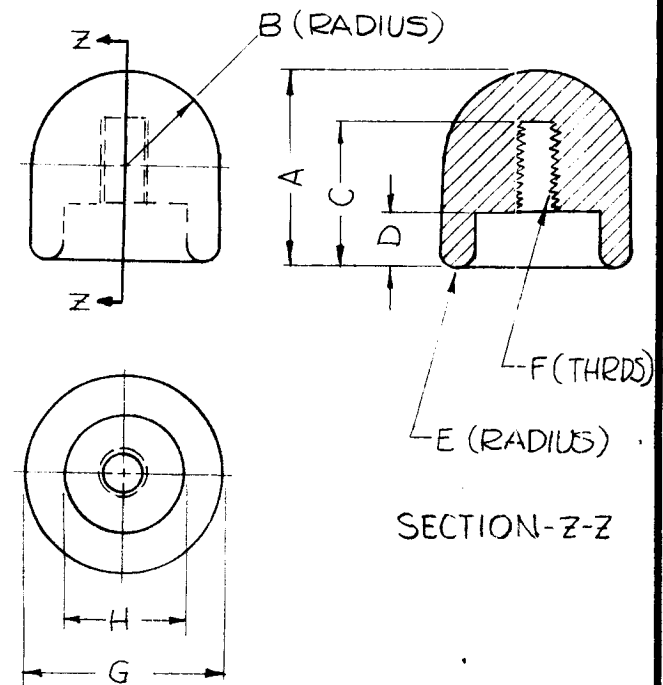


NOTE:

1~ OPER. VOLTAGE IS THE PEAK VOLTAGE AT WHICH THE TERMINATION WILL OPERATE & REMAIN CORONA FREE AT SEA LEVEL AT 25°C.

REQ. PER UNIT	USED ON		NT-141	O
	MODEL	ASS'Y. NO.		
	GPT-200K		8-23-63	

TMC NO.	USED ON	OPER. VOLT. (KV) SEE NOTE 1.	A	B	C	D	E	F	G	H
NT-141-1	200K	25	7/8	3/8	11/16	1/4	1/32	10-32	3/4	5/8
-2	200K	25	7/8	3/8	11/16	3/8	1/32	1/4-20	3/4	5/8
-3	200K	25	7/8	3/8	11/16	3/8	1/32	5/16-24	3/4	5/8



REQ. ITEM	PART NO.	DESCRIPTION	SYMBOL
		THE TECHNICAL MATERIEL CORP. MAMARONECK. NEW YORK	
	STOCK SIZE		
0	ORIGINAL RELEASE	5.16.64	KB
		BRASS	NUT, CAP, H.V. TERMINATION
SYM	DESCRIPTION	DATE	CH. NO. DRAFTS CHECKER ENG. APP.
UNLESS OTHERWISE SPECIFIED DIMENSIONS ARE IN INCHES AND INCLUDE CHEM/CALLY APPLIED OR PLATED FINISHES		SCALE	
DECIMALS .X ± .05 .XX ± .01 .XXX ± .005	TOLERANCES	FRACTIONS ± 1/64 ANGLES ± 0° 30'	CODE
			S401-89 (68 SERIES)
	CHROM. PLATE, HIGH POLISH		
	FINISH & SPEC. NO.	ELEC. DES. APP.	MECH. DES. APP.
		SRG	aa RSC
		DRAWN	CHECKED
			FINAL APPROVAL
			NT-141
			O