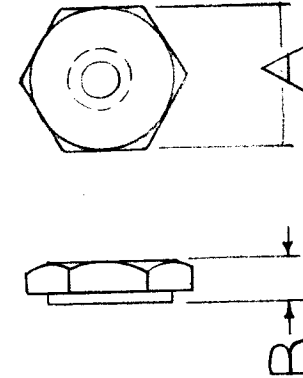


THREAD CODE	THREAD SIZE	DIM.		REQ. PER. UNIT	USED ON			NT-137	C
		A	B		MODEL	ASSY. NO.	DATE		
0256	2-56	.187	1/16				9-27-61		
0440	4-40	.250	3/32						
0632	6-32	.312	7/64						
0832	8-32	.343	1/8						
1024	10-24	.375	1/8						
1032	10-32	.375	1/8						
2520	1/4-20	.437	7/32						
2528	1/4-28	.437	7/32						
3118	5/16-18	.500	3/16						
3124	5/16-24	.500	3/16						
5013	1/2-13	.750	7/16						

# STANDARD DRAWING



NUTS WILL BE :

DOUBLE C'SUNK  
SINGLE CHAMFERED  
WASHER FACED

Nomenclature shall be in the following form  
NT- 137-0440

Mating Screws  
SC-143

REF: Gries Reproduce Corp, or Richo Plastics

Basic TMC  
Part No.

Thread  
Code

REQ.	ITEM	PART NO.	DESCRIPTION	SYMBOL					
C		ADDED 5013 THREAD	7-22-66 16620 RME						
B	1	2520 WAS 1520	10/17/63 10226						
A	1	5/16-18 WAS 5/15-18 ON "THREAD SIZE"	10-17-61 5727						
ISSUE	ITEM	CHANGED FROM	DATE	CH. NO.	DRAFTS	CHECKER	ENG. APP.		
TOLERANCES			SCALE:						
DEC DIM. ±			MAXIMUM ALLOWABLE TOLERANCES HAVE BEEN DETERMINED AND ANY DEVIATIONS WILL BE CAUSE FOR REJECTION.						
FRAC. DIM. ±			REMOVE ALL BURRS AND SHARP EDGES						
ANGULAR DIM. ±									
TYPE & TEMPER		HEAT TREAT. SPEC.		DRAWN		CHECKED		FINAL APPROVAL	
FINISH & SPEC. NO.		ELEC. DES. APP.		MECH. DES. APP.		NT-137		C	