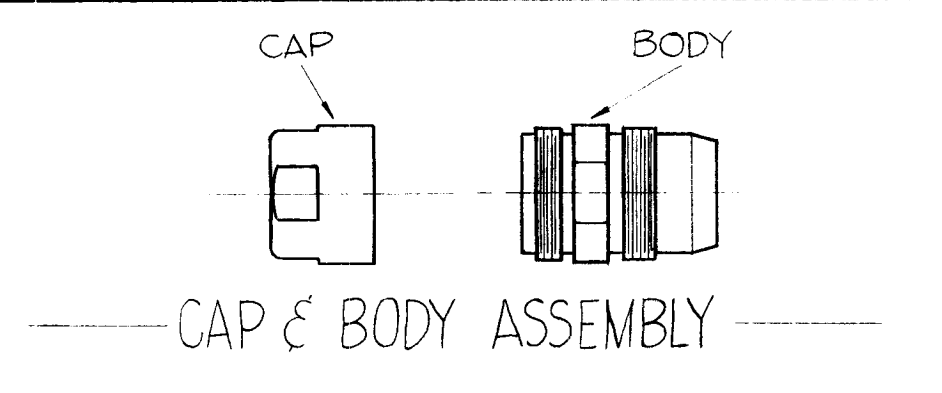
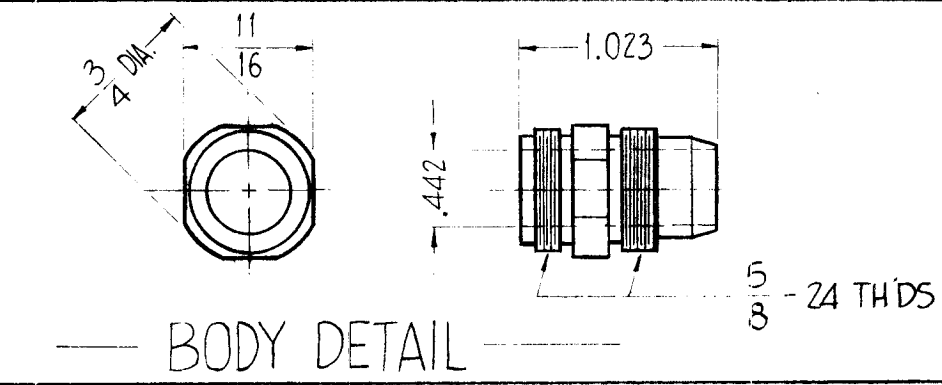
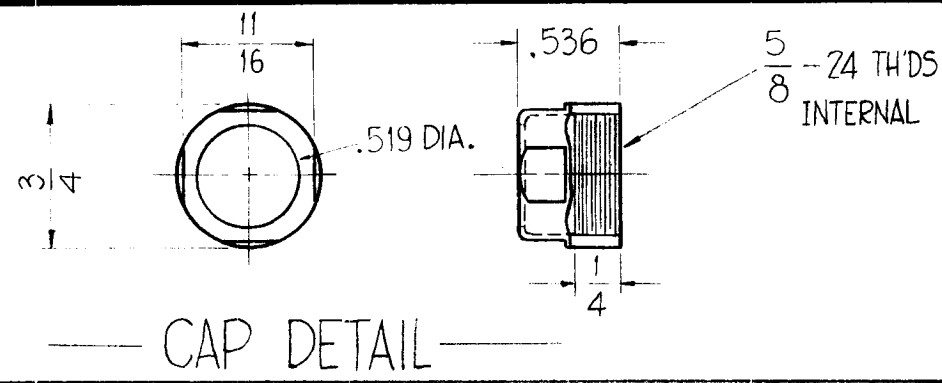


REQ. PER UNIT	USED ON		NT-135
	MODEL	ASSY. NO.	
			4-11-61



SPECIFICATIONS

CAP

MATERIAL - BRASS, FINISH - SILVER PLATED AND RHODIUM FLASHED.

BODY

MATERIAL - BRASS, FINISH - SILVER PLATED AND RHODIUM FLASHED.

FOR USE W/ RG-10/U & RG-12/U
MATES W/ QDS PLUGS

REQ.	ITEM	PART NO.	DESCRIPTION	SYMBOL
			THE TECHNICAL MATERIEL CORP. MAMARONECK, NEW YORK	
			STOCK SIZE	
			MATERIAL	
			John C. Biele	
			TYPE & TEMPER	
			HEATTREAT. SPEC.	
			DRAWN	
			CHECKED	
			FINAL APPR VAL	
			FINISH & SPEC. NO.	
			ELEC. DES. APP	
			MECH. DES. APP	NT-135