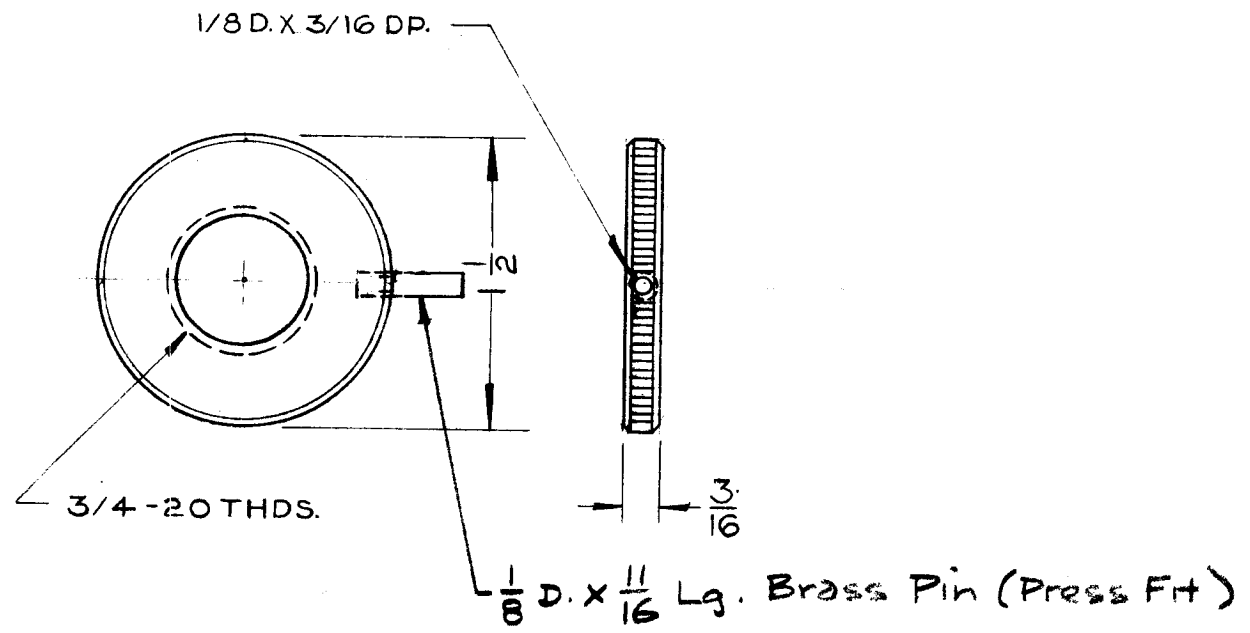


REQ. PER UNIT	USED ON			NT-131
	MODEL	ASS'Y. NO.	DATE	
2	GPT-40K	AX-209	3-22-60	



							REQ. ITEM	PART NO.	DESCRIPTION			SYMBOL	
							STOCK SIZE		THE TECHNICAL MATERIEL CORP.				
							BRASS		MAMARONECK, NEW YORK				
							MATERIAL		NUT, KNURLED,				
ISSUE	ITEM	CHANGED FROM	DATE	CH. NO.	DRAFTS	CHECKER	ENG. APP.	PA. ROTOR BANDSW, ADJUST					
TOLERANCES			SCALE: FULL						cy				
DEC. DIM. ±			MAXIMUM ALLOWABLE TOLERANCES HAVE BEEN DETERMINED AND ANY DEVIATIONS WILL BE CAUSE FOR REJECTION. REMOVE ALL BURRS AND SHARP EDGES				TYPE & TEMPER		HEAT TREAT. SPEC.	DRAWN	CHECKED	FINAL APPROVAL	
FRAC. DIM. ± 1/64							NICKEL PLATE .0002						
ANGULAR DIM. ±					FINISH & SPEC. NO.		ELEC. DES. APP		MECH. DES. APP		NT-131		