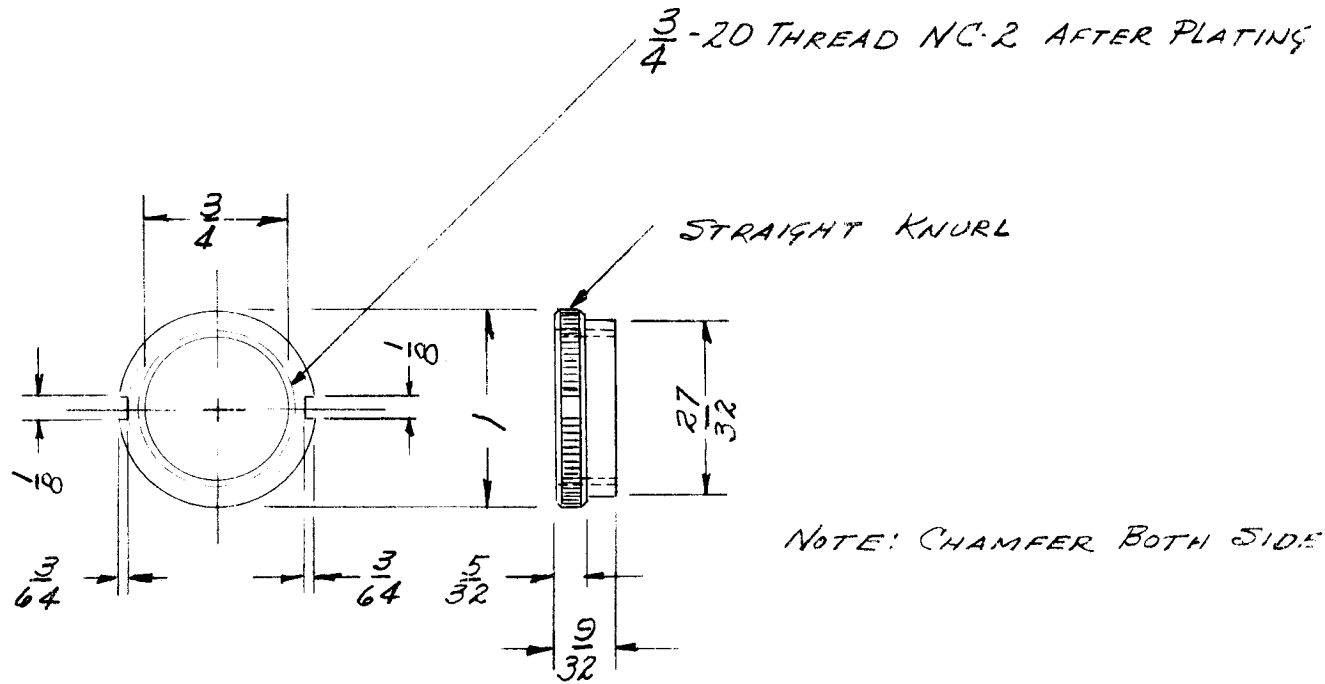


REQ. PER UNIT	USED ON			NT-127	A
	MODEL	ASS'Y. NO.	DATE		
1	JJ-165		8-6-58		



FINISH ~
SILVER PLATE
LIGHT RHODIUM

							REQ. ITEM	PART NO.	DESCRIPTION	SYMBOL
							STOCK SIZE		THE TECHNICAL MATERIEL CORP. MAMARONECK, NEW YORK	
							MATERIAL		SCREW NUT, KNURLED	
A	-	LIGHT RHODIUM ADDED	8/10/61	4621	WF	JIO	chms			
ISSUE	ITEM	CHANGED FROM	DATE	CH. NO.	DRAFTS	CHECKER	ENG. APP.			
TOLERANCES			SCALE: 5-401-70 - (2226-12)							
DEC. DIM. ± FRAC. DIM. ± AN ULAR DIM. ±			MAXIMUM ALLOWABLE TOLERANCES HAVE BEEN DETERMINED AND ANY DEVIATIONS WILL BE CAUSE FOR REJECTION. REMOVE ALL BURRS AND SHARP EDGES				TYPE & TEMPER		HEAT TREAT. SPEC.	
							DRAWN		CHECKED	
							FINISH & SPEC. NO.		ELEC. DES. APP.	
							MECH. DES. APP.		FINAL APPROVAL	
							SEE NOTE		NT-127 A	